

madison®

MAD-CD10

CD PLAYER

Instruction Manual



Important Safety Precautions :

Congratulations on your purchase and thank you for choosing the micro component Hi-Fi system. To achieve the utmost in enjoyment and performance from your new system and in order to become familiar with its features, please read this manual carefully before operation. This will ensure years of faithful, trouble free performance and listening pleasure.

Important Notes :

- These safety and operating instructions should be retained for future reference.
- This appliance must not be exposed to dripping or splashing liquids. No objects filled with liquids, such as vases or glasses should be placed on or near this appliance.
- Avoid installing this unit in locations such as :
 - Places exposed to direct sunlight or close to heat radiating appliances such as electric heaters.
 - On top of other stereo equipment that radiate a lot of heat.
 - Enclosed spaces which block ventilation or overly dusty places.
 - Places subject to constant vibration.
 - Humid or moist places.
- No naked flame sources such as lit candles should be placed on or near the unit.
- Before turning on the power for the first time, make sure the power cord is properly installed, and fully uncoiled.
- For safety reasons, do not remove any covers or screws or attempt to gain access to the inside of the product for any reason. Doing so will expose you to dangerous voltage, and will void your warranty immediately.
- Refer any servicing to qualified and properly authorized service personnel.
- There are no user serviceable parts anywhere inside this unit.
- Where the MAINS plug or an appliance coupler is used as the disconnect device, the disconnect device shall remain readily operable ;
- Batteries (battery pack or batteries installed) shall not be exposed to excessive heat such as sunshine, fire or the like.



CAUTION : TO REDUCE THE RISK OF ELECTRIC SHOCK DO NOT REMOVE COVER OR BACK. NO USER SERVICEABLE PARTS INSIDE, REFER SERVICING TO QUALIFIED SERVICE PERSONNEL.



DANGEROUS VOLTAGE :

Dangerous Voltages, that may be of sufficient magnitude to constitute a risk of electric shock to persons is present within this product's enclosure.



ATTENTION :

The owner's manual contains important operating and maintenance instructions, for your safety, it is necessary to refer to the manual.

WARNING : TO PREVENT FIRE OR SHOCK HAZARD, DO NOT EXPOSE THIS APPLIANCE TO DRIPPING OR SPLASHING.

NOTE : This unit will become warm when used for a long period of time. This is normal and does not indicate a problem with the unit.



This product is compliant with CE-LVD directive : EN60065

GENERAL PRECAUTIONS :

Some Do's and Don'ts on the safe use of this electrical appliance :

This equipment has been designed and manufactured to meet international safety standards, but like any electrical equipment care must be taken if you are to obtain the best results and safety is to be assured.

DO read the operating instruction before you attempt to use the equipment.

DO ensure that all electrical connections (including the mains plug, extension leads and enter-connections between the pieces of equipment) are properly made and in accordance with the manufacturer’s instructions.

DO switch off and remove the mains plug before making or changing any connections to this unit.

DO consult your dealer if you are ever in doubt about the installation, operating or safety of your equipment.

DON'T remove any fixed cover as this may expose you to dangerous and potentially deadly voltages.

DON'T overheat the unit which can cause damage and shorten the life of the equipment.

DON'T allow electrical equipment to be exposed to dripping or splashing, or objects filled with liquids, such as vases, to be placed on the equipment.

DON'T place hot objects or naked flame sources such as lit candles or nightlights on, or close to equipment. High temperatures can melt plastic and lead to fires.

DON'T listen at very high volume. Doing so can permanently damage your hearing.

DON'T leave equipment switched on when it is unattended. Switch off using the switch on the equipment.

DON'T continue to operate the equipment if you are in any doubt about if it’s working normally or if it’s damaged in any way. Switch it off and remove the mains plug and consult your dealer immediately.

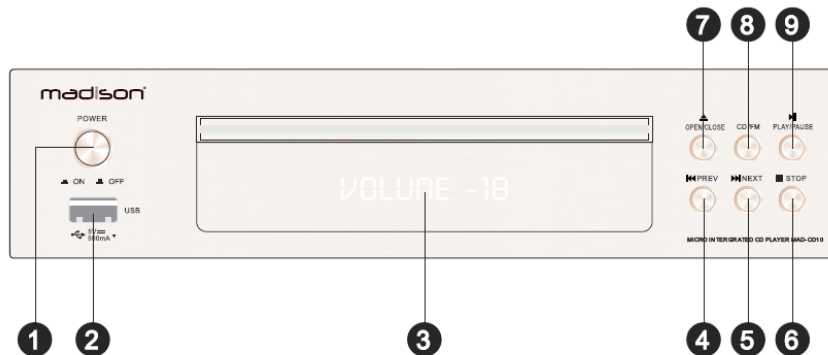
ESD Remark: In case of malfunction due to electrostatic discharge, simply reset the system by disconnecting the mains power from the wall outlet for a period of 5 minutes. Reconnect to the mains power to resume normal operation.

NOTE : Do not open any covers and do not attempt to repair this system in any way yourself. Qualified personnel must carry out repair work.

Package Contents :

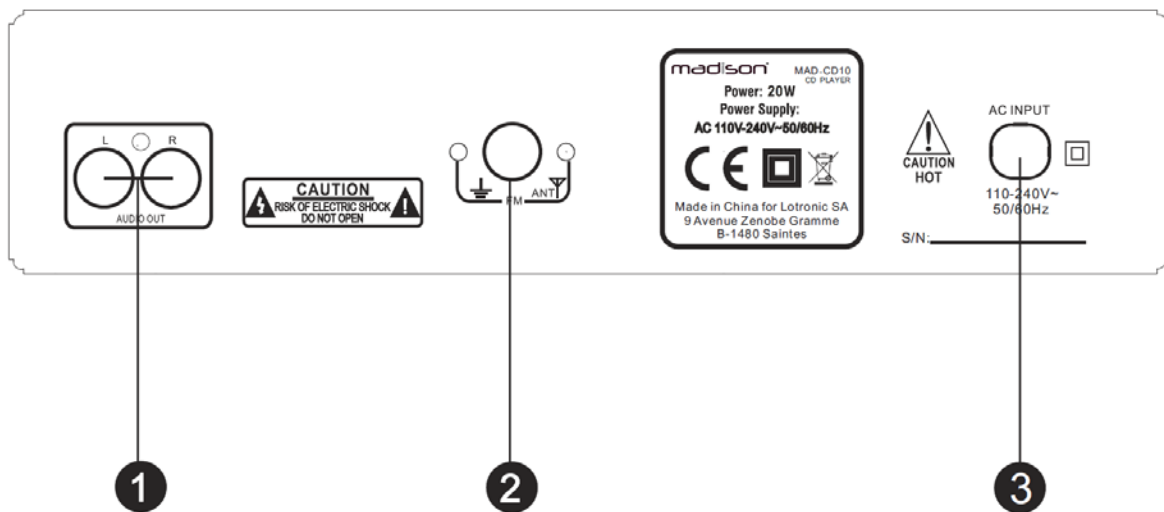
1. CD Player Unit
2. Remote Control
3. 2 x AA Batteries
4. FM Antenna
5. RCA Audio Cable
6. Users Guide

CD Component Front Panel Overview:



Control	Function
1	ON/OFF
2	USB Input for MP3 & WMA Audio File Playback
3	LED Display
4	Previous Track Select
5	Next Track Select
6	Stop Current Track
7	CD Disco Door Open/Close
8	CD/FM Input Select
9	Play/pause

CD Component Rear Panel Overview :



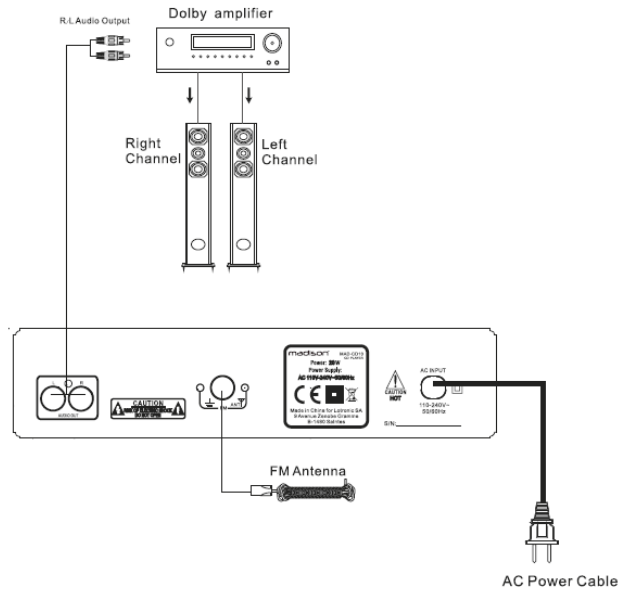
Control	Function
1	L/R Analogue Audio Output (RCA)
2	FM Radio Antenna
3	AC Power Input

Remote Control Function :

Control	Function
OPEN/CLOSE	Operates the CD tray to open and close
SCAN	To scan FM station and automotive save
CD/USB	To select CD or USB input
CD	To select CD mode
FM	To select FM tuner mode
NUMERIC BUTTONS 1-9	To directly select a song press number keys 1-9 or to select radio station presets 1-9
NUMERIC BUTTON 10+	If a song selection exceeds track 10, you can select by pressing 10+ key
	To fast forward or rewind whilst playing a track CD mode, or to scan frequencies up or down whilst in FM mode
	To play, pause or stop tracks whilst in CD mode
MUTE	The MUTE button will eliminate any output sound from the system whilst in any mode. To cancel, press the button again
VOLUME +/-	To adjust the master volume in all modes
CHANNEL or TRACK +/-	To select the next or previous station preset whilst in FM radio mode, or to select the next or previous track whilst in CD mode / USB mode



Rear Panel Connections :



Basic Operation :

Remote Control :

- Ensure you have correctly installed AA batteries into your remote control.
- For the remote to be fully functional it must be pointed directly at the micro system and be within a range of 7 meters.
- In some instances the remote's function may be affected by other electronics high frequency or signal interference.
- If the remote control is not going to be used for long periods of time, remove the batteries to avoid battery leakage and subsequent damage to your remote control.
- The remote control should not be stored in dusty, humid or moist conditions, in direct sunlight or other extreme environments.

Playing a CD:

The CD play in this system is capable of playing 12cm and 8cm Compact Discs. This CD player is not compatible with DVD/DVD-R/DVD-RW/DVD Audio/DVD Rom or SACD.

The playable audio file types are:

- CD Audio
- MP3 Audio :
 - MPEG 1 & 2, audio layer 3 file
 - File extension : MP3
 - Transfer Bit Rate : 8kbps ~ 320 kbps
- WMA Audio :
 - Windows media File
 - File extension : WMA
 - Transfer Bit Rate : 8kbps ~ 320 kbps
 - Incompatible file types created in Windows Media Player 9 or later or not compatible :
 - WMA Professional
 - WMA Lossless
 - WMA Voice

Basic operation steps :

- Press ON on the remote control to turn the system on.

- Press the INPUT button repeatedly until 'CD' appears on the front panel display.
- Press the Eject button (▲) on the remote control or front panel to open the CD tray.
- Place a disc into the CD tray with its printed side facing up, and press the Eject button (▲) again to close the CD tray.

To play a Compact Disc :

- Press the Play button (▶) on the remote control or front panel and the CD will begin playing from track 1 of the disc.

To pause playback :

- Press the Play/Pause button (▶||) on the remote control or front panel and the CD will pause.
- Press the Play/Pause (▶||) again to resume playback or the disc for the same position from where it was paused.

To stop playback :

- Press the Stop button (■) on the remote control or front panel and the CD will stop. Pressing the Play button (▶) will resume playback from the beginning (track1) of the disc.

To play a desired track:

- During playback, press the CHANNEL/TRACK + or – button on the remote control to select the desired track.
- Press one of the numeric buttons (1~9) on the remote control to directly access your desired track.

To select particular part of a track:

- During playback, press and hold the FWD button (▶▶) or RWD button (◀◀) on the remote control to scan the current track to the desired part.

LISTENING TO THE FM RADIO :

The FM radio in this system operated on the following frequency ranges :

FM : 87MHz ~ 107MHz

Basic operation steps :

- Press ON on the remote control to turn the system on.
- Press the FM button until a radio station frequency appears on the front panel display.

Tuning the Radio :

There are 3 tuning modes for FM modes.

Full Automatic Tune :

- Whilst in radio mode, press the 'AUTO' button on the remote control, the system will automatically search for and save presets for all strong station frequencies found.

Semi Automatic Tune :

- Whilst in radio mode, press and hold the « << » or « >> » button on the remote control or front panel and the radio will scan to the nearest strong station frequency in whichever direction you selected.

Manual Tune :

- Whilst in radio mode, press the « << » or « >> » button on the remote control or front panel and the radio frequency will change by 1 step at a time. Press the « << » or « >> » button until you find your desired frequency.

Saving Radio Presets :

- In Full automatic & semi-automatic tuning mode, strong radio station frequencies will be saved automatically. Manual tuning will auto save the frequency when you stop pressing "«<<»" or "«>>»" for more than 2 second, then save it from station 1 to 10. You can select a station by pressing the "Channel/track + or – button on the remote control.

PLAYING THE USB INPUT:

This system can play audio files stored on a flash memory USB stick which is formatted to FAT32 file system, and with a capacity no larger than 16GB.

The playable audio file types are:

- MP3 Audio :
 - MPEG 1 & 2, audio layer 3 files
 - File extension : .MP3
 - Transfer Bit Rate : 8kbps ~ 320kbps

- WMA Audio :
 - Windows media file
 - File extension : .WMA
 - Transfer Bit Rate : 8kbps ~ 320kbps
 - Incompatible file types created in Windows Media Player 9 or later are not compatibles :
 - WMA Professional
 - WMA Lossless
 - WMA Voice

Basic operation steps :

- Press ON on the CD player front panel to turn the system on.
- While in any input mode, insert a compatible USB flash memory drive into the USB input on the front panel of the CD Player section. To select USB playback mode, press the USB input on the remote control or front panel.

To play an audio track:

- Press the Play button (▶) on the remote control or front panel and the CD will begin playing from track 1 of the USB stick.

To pause playback :

- Press the Pause button (||) on the remote control or front panel and the track will pause.
- Press the Play (▶) again to resume playback of the track for the same position from where it was paused.

To stop Playback :

- Press the Stop button (■) on the remote control or front panel and the track will stop. Pressing the Play button (▶) will resume playback from the beginning (track1) of the USB stick.

To play a desired track:

- During playback, press the backward/forward skip buttons (⏮/⏭) button on the front panel, or Channel/Track “+” or “-“ buttons on the remote control.
- Press one of the numeric buttons (1 ~ 9) on the remote control to directly access your desired track.

To select a particular part of a track:

- During playback, press and hold the FWD button (⏭) or RWD button (⏮) on the remote control to scan the current track to the desired part.

To remove the USB memory stick:

- Press the Stop button (■) on the remote control or front panel and the track will stop. Then it is safe to remove the USB stick from the front panel USB input.

Connecting to an external Amplifier or Receiver from the Line Out :

This system has a L/R stereo RCA line output on the rear panel of the CD player section. It is compatible with the line input RCA jacks on any common home amplifier or receiver sound system.

Basic operation steps :

- Connect a pair of RCA stereo cables from the line input jacks of your home audio amplifier or receiver to the red and white « LINE OUT » jacks on the rear panel of the CD player section of this system.
- You can now select either the CD player or USB Inputs as your desired output source only, however the volume will now be controlled by your external home amplifier or receiver. Follow your manufacturer’s instructions for further information on the use of this setup.

Troubleshooting Guide :

PROBLEM	POSSIBLE CAUSE	REMEDY
Remote Control :		
Remote Control not working	<ul style="list-style-type: none"> • Batteries are exhausted • The remote control is too far away from the main system, controlling angle is too large, or there is an obstacle in between. 	<ul style="list-style-type: none"> • Replace with new batteries • Operate the remote within the recommended operative range.
CD Player Section :		
No Sound	<ul style="list-style-type: none"> • There is no disc. • The disc is not loaded with the printed side up. • It is in pause mode. • The disc is dirty or scratched. 	<ul style="list-style-type: none"> • Load a disc. • Load it with the printed side up. • Cancel the pause mode. • Clean it or load another disc.
Skipping sound or track	<ul style="list-style-type: none"> • The disc is dirty or scratched. 	Clean it or load another disc.
FM Radio :		
Not receiving stations	<ul style="list-style-type: none"> • The antenna is disconnected. • The broadcast frequency is not set properly 	<ul style="list-style-type: none"> • Connect the antenna. • Set the broadcast frequency properly
Not receiving the preset station	<ul style="list-style-type: none"> • An incorrect station frequency has been memorized. • The preset memory was cleared because the AC input cord has been disconnected for more than a few days. 	<ul style="list-style-type: none"> • Memorize the correct station frequency. • Memorize the station again.
Interference	<ul style="list-style-type: none"> • Noise related to the influence of an electric appliance. • Noise related to a nearby TV set. 	<ul style="list-style-type: none"> • Turn off unnecessary nearby appliances. • Install the system further away from the TV set.
USB Input :		
No tracks available to play	<ul style="list-style-type: none"> • No files are on the USB stick. • The USB stick is not formatted using FAT32 file system. • The files on the USB stick are not MP3 audio format. 	<ul style="list-style-type: none"> • Add files to the USB stick. • Reformat the USB stick using FAT32 file system. • Add MP3 audio files to the USB stick.

Specifications :

ITEM	SPECIFICATIONS
Description :	CD Player
Power Requirements :	AC 110-240V/ 50/60 HZ 20W
Tuner Frequency Range :	FM : 87-108MHz
Signal to Noise Ratio :	>85dB
Main Channel (1KHz) :	20Hz-20KHz+2dB
Dimensions :	MAIN UNIT : L200 x W295 x H140mm



Electric products must not be put into household waste. Please bring them to a recycling centre. Ask your local authorities or your dealer about the way to proceed.

Précautions d'emploi importantes :

Merci d'avoir choisi notre produit. Afin de profiter pleinement de l'appareil et pour vous familiariser avec le produit, nous vous prions de bien vouloir lire attentivement ce manuel avant utilisation.

Notes importantes :

- Conservez ces instructions de sécurité et ce mode d'emploi pour référence ultérieure.
- Cet appareil ne doit pas entrer en contact avec un liquide ou placé à côté d'objets contenant des liquides, comme un vase ou un verre par exemple.
- Emplacements à éviter pour votre appareil :
 - Ne pas exposer aux rayons du soleil ou aux d'appareils chauffants tels qu'un radiateur électrique.
 - Au-dessus d'autres équipements stéréo qui émettent de la chaleur.
 - Des endroits où la ventilation pourrait être bloquée ou les endroits trop poussiéreux.
 - Endroit sujets à de constantes vibrations.
 - Endroits humides.
- Aucune source de chaleur produisant des flammes telle que les bougies, ne doit être placée sur ou à côté de l'appareil.
- Avant de mettre en marche l'appareil pour la première fois, veillez à ce que le cordon d'alimentation soit correctement installé et déroulé entièrement.
- Pour des raisons de sécurité, ne retirez aucune vis ou ne tentez pas d'ouvrir l'appareil pour aucune raison. Le faire vous exposerait à une tension dangereuse et annulerait votre garantie immédiatement.
- Apportez l'appareil chez votre revendeur en cas de problème.
- Cet appareil ne contient aucune pièce remplaçable par l'utilisateur.
- Dispositifs de coupure du réseau :
 - a) lorsque le cordon d'alimentation ou un coupleur d'appareil est utilisé comme dispositif de déconnexion, ce dispositif doit rester facilement accessible;
 - b) Si un interrupteur omnipolaire est utilisé comme dispositif de déconnexion, l'emplacement sur l'appareil et la fonction de l'interrupteur doit être décrite, et le commutateur doit rester facilement accessible.
- Ne pas exposer les piles, batteries et accumulateur à la chaleur.



ATTENTION : AFIN D'ÉVITER TOUT RISQUE D'ÉLECTROCUTION, NE PAS OUVRIR LE BOITIER. AUCUNE PIÈCE DE L'APPAREIL N'EST REUTILISABLE, VEUILLEZ CONTACTER VOTRE REVENDEUR EN CAS DE PROBLÈME.

TENSION DANGEREUSE :



L'éclair dans le triangle attire l'attention sur un danger physique (due à une électrocution p.ex.).



ATTENTION :

Le point d'exclamation dans le triangle indique un risque dans la manipulation ou l'utilisation de l'appareil.

ATTENTION : POUR ÉVITER QUE L'APPAREIL DE PRENNE FEU OU TOUT AUTRE PROBLÈME MAJEUR, N'EXPOSEZ L'APPAREIL À AUCUN LIQUIDE OU ECLABOUSSURES POSSIBLES.

NOTE : Après un certain temps, l'appareil deviendra chaud. Ne vous inquiétez pas, ceci est normal et ne montre aucun problème venant de l'appareil.



Ce produit est conforme à la norme CE-LVD directive : EN60065

PRECAUTIONS D'EMPLOI GENERALES :

Ce qu'il faut « faire » et « ne pas faire » pour une utilisation sécurisée de l'appareil:

Cet équipement a été conçu et fabriqué pour respecter les normes internationales de sécurité, mais comme tout appareil électrique, il faut être prudent si vous voulez en tirer les meilleurs résultats et une utilisation la plus sûre possible.

LIRE le mode d'emploi avant la première utilisation.

ASSUREZ-VOUS que toutes les connexions électriques (y compris les prises secteur, les rallonges etc.) sont en bon état et correspondent aux instructions du fabricant.

ETEIGNEZ ET DEBRANCHEZ l'appareil de la prise secteur avant d'établir ou de modifier toute connexion à l'appareil.

CONSULTEZ votre revendeur si vous avez un doute concernant l'installation, les instructions à suivre ou sur la sécurité de votre appareil.

NE PAS ouvrir l'appareil par risque de vous exposer à une tension dangereuse et potentiellement mortelle.

NE PAS surchauffer l'appareil par risque de l'endommager et de raccourcir sa durée de vie.

NE PAS poser de récipients remplis de liquides tels que des verres ou des vases, sur ou à proximité immédiate de l'appareil. Ils risquent de tomber et de déverser le liquide dans l'appareil. Ne jamais verser de liquides au-dessus de l'appareil.

NE PAS placer de flamme ouverte telle qu'une bougie sur ou à côté de l'appareil. Les hautes températures peuvent causer la fonte du plastique et provoquer des incendies.

NE PAS écouter la musique à un volume trop élevé par risque d'endommager votre ouïe.

NE PAS laisser l'appareil allumé sans surveillance. Éteignez-le à l'aide du commutateur marche/arrêt.

NE PAS continuer d'utiliser l'appareil si vous êtes dans un doute concernant son bon fonctionnement. Éteignez-le et débranchez-le de la prise secteur et consultez votre revendeur immédiatement.

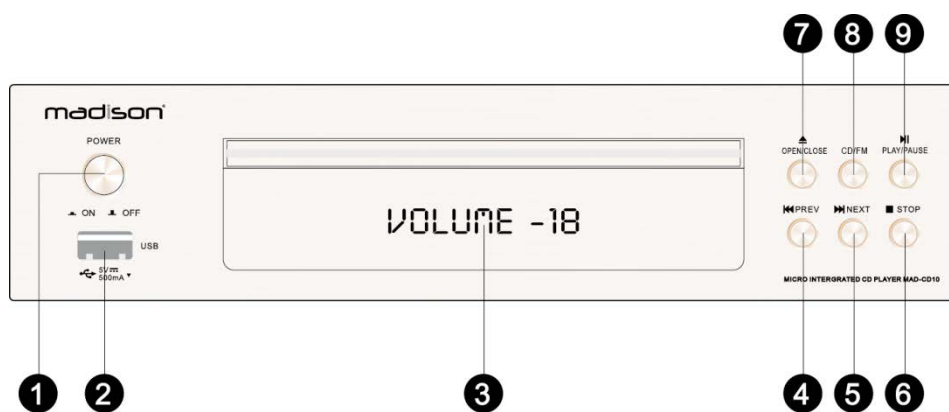
Remarque: En cas de dysfonctionnement dû à l'électricité électrostatique, éteignez simplement le système pendant 5 minutes. Rebranchez pour reprendre une utilisation normale.

NOTE : NE PAS OUVRIR l'appareil afin d'essayer de le réparer soi-même. Une personne qualifiée doit s'en charger.

Contenu de l'emballage:

1. Lecteur CD
2. Télécommande
3. 2 piles AA
4. Antenne radio
5. Câble audio RCA
6. Mode d'emploi

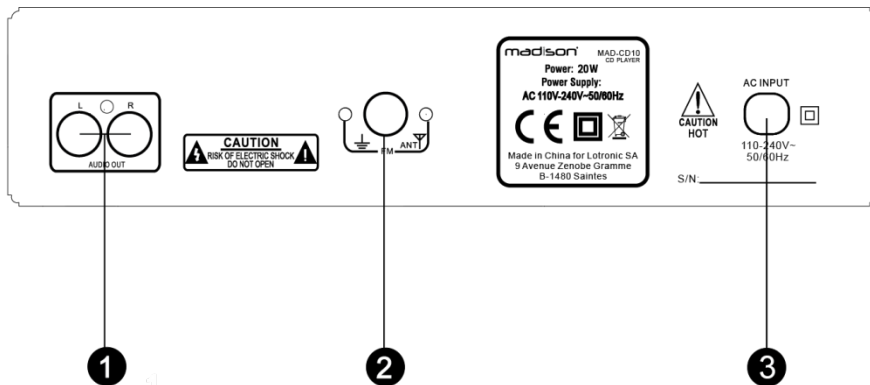
Façade avant:



Commandes	Fonctions
1	Bouton Marche/ Arrêt
2	Entrée USB pour MP3 & fichiers de lecture audio WMA
3	Afficheur à LED

4	Sélection de la piste précédente
5	Sélection de la piste suivante
6	Bouton STOP
7	Ouverture/Fermeture du lecteur CD
8	Bouton de sélection CD/FM
9	Bouton Play/pause

Arrière :



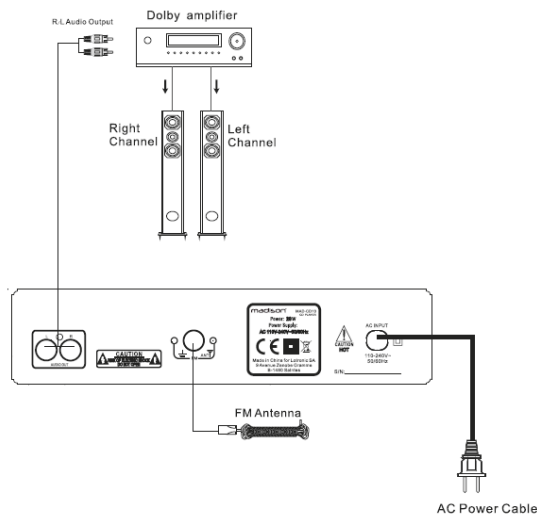
Comande	Fonction
1	Sortie audio G/D analogique (RCA)
2	Antenne radio
3	Entrée secteur

Télécommande :

Commandes	Fonction
OUVRIR/ FERMER	Ouverture et fermeture du tiroir CD
RECHERCHE	Recherche des stations radio et sauvegarde automatique
CD/USB	Sélection du lecteur CD ou de l'entrée USB
CD	Sélection du mode CD
FM	Sélection du mode Radio
BOUTONS NUMERIQUES 1-9	Pour la sélection directe d'une piste, appuyez sur les boutons 1 à 9 et également pour sélectionner une station de radio programmée
BOUTON NUMERIQUE 10+	Si une piste excède la piste 10, vous pouvez la sélectionner en appuyant sur le bouton 10+
	Pour une avance rapide ou un rembobinage d'une piste audio pendant l'écoute d'un CD ou le changement de fréquence radio en mode FM
	Pour mettre une piste audio d'un CD en mode lecture, pause et stop
MUTE	Le bouton MUTE coupera le son de l'appareil. Pour annuler l'opération, appuyez de nouveau.
VOLUME +/-	Pour ajuster le volume
CHANNEL or TRACK +/-	Sélection de la piste suivante ou précédente lors de l'écoute d'un CD, et la sélection de la station précédente ou suivante lors de l'écoute de la radio



Connexions à l'arrière :



Opérations basiques :

Télécommande :

- Assurez-vous d'avoir correctement placé les piles AA dans votre télécommande.
- Pour que la télécommande fonctionne au mieux, il faut la diriger vers le récepteur, et à une distance d'environ 7m.
- Dans certains cas, il arrive que la télécommande ne fonctionne pas à cause d'autres appareils électroniques à forte fréquence ou créant des interférences.
- Si la télécommande n'est pas utilisée pendant une longue période, enlevez les piles pour économiser la batterie et éviter d'endommager la télécommande.
- La télécommande ne doit pas rester dans un environnement trop poussiéreux, humide, exposé aux rayons du soleil ou autre environnement extrême.

Lecture d'un CD :

Cet appareil permet la lecture d'un CD de 12cm et de 8cm. Ce lecteur CD n'est pas compatible avec les formats DVD/DVD-R/DVD-RW/DVD Audio/DVD-ROM ou SACD.

Les formats compatibles sont :

- CD Audio
- MP3 Audio :
 - MPEG 1 & 2, audio layer 3 file
 - Fichier d'extension : MP3
 - Taux de transfert : 8kbps ~ 320 kbps
- Audio WMA :
 - Fichier Windows media
 - Extension: WMA
 - Taux de transfert : 8kbps ~ 320 kbps
 - Les types de formats incompatibles créées dans Windows Media Player 9 ou ultérieurement :
 - WMA Professional
 - WMA Lossless
 - WMA Voice

Etapas des opérations basiques :

- Appuyez sur ON de la télécommande pour la mise en marche de l'appareil.
- Appuyez sur le bouton CD jusqu'à ce que « CD » apparaisse sur l'afficheur.
- Appuyez sur le bouton EJECT de la télécommande ou sur la façade de l'appareil pour ouvrir le tiroir CD.
- Insérez un CD dans le tiroir CD avec la façade imprimée vers le haut puis appuyez de nouveau sur le bouton EJECT (▲) pour fermer le tiroir CD.

Pour la lecture d'un Disque Compact :

- Appuyez sur le bouton PLAY (▶) de la télécommande ou sur la façade avant de l'appareil et la première piste du CD commencera.

Pour faire PAUSE :

- Appuyez sur le bouton PAUSE (||) de la télécommande ou sur la façade avant de l'appareil et le CD sera en mode pause.
- Appuyez de nouveau sur le bouton PLAY (▶) pour reprendre la lecture du CD à partir de là où vous l'avez arrêté

Pour arrêter la lecture :

- Appuyez sur le bouton STOP (■) de la télécommande ou sur la façade avant de l'appareil et la lecture du CD s'arrêtera. Appuyez sur le bouton PLAY (▶) pour reprendre la lecture à partir de la piste 1.

Pour la lecture d'une piste choisie :

- Pendant la lecture, appuyez sur les boutons CHANNEL/TRACK « + » ou « - » sur la télécommande pour sélectionner la piste désirée
- Appuyez sur un des boutons numériques (1 ~ 9) de la télécommande pour un accès direct à la piste désirée.

Pour la sélection d'une partie en particulier d'une piste :

- Durant la lecture, maintenez appuyé le bouton suivant (▶▶) ou précédent (◀◀) de la télécommande pour atteindre le moment désiré d'une piste.

Ecoute de la radio :

La radio opère sur les fréquences suivantes :

FM : 87MHz ~ 107MHz

Etales des opérations basiques :

- Appuyez sur le bouton ON en façade pour la mise en marche de l'appareil.
- Appuyez sur le bouton FM jusqu'à ce qu'une fréquence radio apparaisse sur l'afficheur.

Syntonisation de la radio :

Il y a 3 modes de syntonisation pour les modes FM.

Syntonisation automatique :

- Lorsque vous êtes en mode radio, appuyez sur le bouton « AUTO » de la télécommande et une recherche des stations aux plus fortes fréquences se fera automatiquement.

Syntonisation semi-automatique :

- Lorsque vous êtes en mode radio, maintenez appuyée la touche « << » ou « >> » de la télécommande ou de la façade avant de l'appareil pour aller à la station de radio la plus proche émettant une forte fréquence, peu importe le bouton sur lequel vous avez appuyé.

Syntonisation manuelle :

- Lorsque vous êtes en mode radio, appuyez sur les boutons « << » ou « >> » de la télécommande ou de la façade avant de l'appareil et la fréquence radio changera d'un niveau à la fois.

Sauvegarde des stations de radio:

- En mode de syntonisation automatique et semi-automatique, les fréquences fortes seront sauvegardées automatiquement.
En mode de syntonisation manuelle, la fréquence sera sauvegardée automatiquement lorsque vous arrêtez d'appuyer sur les touches « << » ou « >> » pendant plus de 2 secondes. La fréquence sera sauvegardée dans la mémoire 1 à 10. Vous pouvez sélectionner la station en appuyant sur les touches « CHANNEL/TRACK « + » ou « - » .

Utilisation de l'entrée USB :

Cet appareil peut lire les fichiers audio à partir d'une clé USB supportant les formats FAT32 et ayant une capacité maximale de 16GB.

Les types de fichiers compatibles sont :

- Audio MP3 :
 - MPEG 1 & 2, audio layer 3 files
 - File extension : .MP3
 - Transfer Bit Rate : 8kbps ~ 320kbps

- Audio WMA :
 - Fichier Windows media
 - Extension de fichier : .WMA
 - Taux de transfert : 8kbps ~ 320kbps
 - Les types de fichiers incompatibles sont ceux de Windows Media Player 9 ou ceux créés ultérieurement :
 - WMA Professional
 - WMA Lossless
 - WMA Voice

Etapes des opérations basiques :

- Appuyez sur ON en façade pour la mise en marche de l'appareil.
- Quel que soit le mode sélectionné, insérez une clé USB compatible dans le port USB et sélectionnez l'entrée USB sur la télécommande ou la façade avant.

Pour la lecture d'une piste audio:

- Appuyez sur le bouton (▶) de la télécommande ou sur la façade avant et la lecture du CD commencera à partir de la première piste de la clé USB.

Pour faire pause :

- Appuyez sur le bouton PAUSE (||) de la télécommande ou de la façade avant et la piste s'arrêtera.
- Appuyez sur le bouton PLAY (▶) une seconde fois pour reprendre la lecture de la piste audio à l'endroit où vous l'avez interrompue.

Pour arrêter la lecture :

- Appuyez sur le bouton STOP (■) de la télécommande ou de la façade avant et la piste audio s'arrêtera. Appuyez sur le bouton PLAY (▶) et la lecture reprendra à la piste 1 de votre clé USB.

Pour la lecture d'une piste choisie :

- Pendant la lecture, appuyez sur le bouton suivant/précédent (◀◀ / ▶▶) en façade ou le bouton chaine+/chaine-de de la télécommande.
- Appuyez sur l'un des boutons numérique (1 ~ 9) de la télécommande pour accéder directement à votre piste désirée.

Pour sélectionner une partie spécifique d'une piste :

- Durant la lecture, maintenez appuyé le bouton (◀◀) ou (▶▶) en façade pour aller à l'endroit désiré d'une piste.

Pour retirer la clé USB :

- Appuyez sur le bouton STOP (■) de la télécommande ou sur la façade avant et la piste s'arrêtera. Vous pouvez maintenant retirer la clé USB en toute sécurité.

Connexion à un ampli externe ou à un récepteur à partir d'une sortie ligne :

Ce système possède une sortie ligne stéréo G/D par RCA au dos du lecteur CD. Elle est compatible avec toutes les entrées lignes RCA d'un système audio courant.

Etapes basiques :

- Branchez un câble RCA Stéréo des entrées lignes de votre amplificateur audio sur les fiches rouges et blanches line out à l'arrière du lecteur CD.
- Vous pouvez maintenant sélectionner le lecteur CD ou les entrées USB comme source de sortie. Cependant, vous devez contrôler le volume avec votre amplificateur externe. Reportez-vous au manuel du fabricant pour de plus amples informations sur cette configuration.

Diagnostic de défaillance :

PROBLEME	CAUSE POSSIBLE	SOLUTIONS
Télécommande :		
La télécommande ne fonctionne pas	<ul style="list-style-type: none"> • Les piles sont déchargées • La télécommande est trop loin de l'appareil, l'angle de contrôle est trop large ou il y a un obstacle entre les deux. 	<ul style="list-style-type: none"> • Changez les piles • Rapprochez votre télécommande suivant les recommandations.
Lecteur CD :		
Pas de son	<ul style="list-style-type: none"> • Il n'y a pas de disque • Le disc n'est pas inséré avec le côté imprimé vers le haut. • Il est en mode Pause. • Le disque est sale ou rayé. 	<ul style="list-style-type: none"> • Insérez un disque • Insérez le disque dans le bon sens (le côté imprimé vers le haut). • Annulez le mode Pause. • Nettoyez-le et insérez un autre disque.
Il change de piste	<ul style="list-style-type: none"> • Le disque est sale ou rayé. 	Nettoyez-le ou insérez un autre disque.
Radio FM :		
Ne reçoit pas les stations	<ul style="list-style-type: none"> • L'antenne est déconnectée • La station n'est pas bien réglée 	<ul style="list-style-type: none"> • Connectez l'antenne. • Trouvez une station ayant une bonne réception
Ne reçoit pas la station programmée	<ul style="list-style-type: none"> • Une station ayant une mauvaise fréquence a été mémorisée. • La mémoire de programmation a été effacée à cause du câble secteur qui a été déconnecté pendant plusieurs jours. 	<ul style="list-style-type: none"> • Mémorisez la bonne station avec la bonne fréquence • Mémorisez la station à nouveau.
Interférence	<ul style="list-style-type: none"> • Parasite provoqué par un appareil électrique. • Parasite provoqué par une TV à proximité. 	<ul style="list-style-type: none"> • Eteignez les appareils inutiles à proximité. • Installez l'appareil plus loin de la TV.
Entrée USB :		
Pas de piste disponible	<ul style="list-style-type: none"> • Aucune piste n'est sur la clé USB • La clé USB n'est pas formatée pour utiliser des fichiers FAT32 • Les fichiers sur la clé USB ne sont pas au format MP3 	<ul style="list-style-type: none"> • Ajouter des fichiers sur la clé USB • Reformatez la clé USB en utilisant FAT32 • Ajoutez des fichiers audio MP3 sur la clé USB.

CARACTERISTIQUES TECHNIQUES	
Description :	Lecteur CD
Alimentation :	AC 110-240V/ 50/60 HZ 20W
Fréquence radio :	FM : 87-108MHz
Rapport Signal/Bruit :	>85dB
Bande passante (1KHz) :	20Hz-20KHz+2dB
Dimensions :	200 x 295 x 140mm



NOTE IMPORTANTE : Les produits électriques ne doivent pas être mis au rebut avec les ordures ménagères. Veuillez les faire recycler là où il existe des centres pour cela. Consultez les autorités locales ou votre revendeur sur la façon de les recycler.

D

Wichtige Sicherheitshinweise:

- **Anleitung lesen** – Alle Sicherheitshinweise und Bedienanweisungen vor der Inbetriebnahme lesen.
- **Anleitung aufbewahren**– Die Anleitung für spätere Bezugnahme aufbewahren.
- **Warnhinweise beachten** – Alle Warnungen auf dem Gerät und in der Anleitung beachten.
- **Reinigung** –Das Gerät vor der Reinigung vom Netz trennen. Reinigen Sie die Anlage nur mit einem trockenen Tuch, wie vom Hersteller vorgeschrieben. Keine Lösungsmittel oder andere Scheuermittel benutzen.
- **Feuchtigkeit** – Die Anlage nicht in Wassernähe benutzen wie z.B. in der Nähe einer Badewanne, einer Küchenspüle, eines Waschbeckens, auf einer feuchten Unterlage oder in der Nähe eines Swimmingpools o.ä.
- **Zubehör** – Die Anlage nicht auf eine unangebrachte oder instabile Fläche stellen, wie einen Dreifuss, einen Halter oder einen Tisch. Wenn die Geräte herunterfallen, können Sie Kinder oder Erwachsene schwer verletzen, sowie selbst schweren Schaden nehmen. Zur Montage die Anweisungen des Herstellers beachten und das empfohlene Montagezubehör benutzen.
- Die Belüftungsschlitze und die Öffnungen dienen zur Kühlung und gewährleisten einen zuverlässigen Betrieb, indem Sie das Gerät gegen Überhitzung schützen. Diese Öffnungen dürfen nicht verstopft werden. Niemals das Gerät in einem geschlossenen Gehäuse wie einem Bücherschrank oder einem Rack aufstellen, es sei denn, es wurde für ausreichende Belüftung gesorgt. Lassen Sie einen Mindestabstand von 20cm hinter dem Gerät.
- **Versorgung** – Das Gerät darf nur an eine 110-240VAC 50/60Hz Netzspannung angeschlossen werden. Wenn Sie sich Ihrer Netzspannung nicht sicher sind, wenden Sie sich an Ihren Fachhändler oder Ihre Elektrizitätswerke.
- **Schutz des Netzkabels** – Verlegen Sie die Netzkabel so, dass sie nicht von Personen oder Gegenständen gequetscht werden können. Seien Sie mit den Kabelaustritten am Gerät, am Stecker und an der Netzsteckdose besonders vorsichtig.
- **Gewitter** – Um die Geräte während eines Gewitters oder bei längerem Nichtgebrauch gegen Überspannungen zu schützen, müssen sie vom Netz getrennt werden. Ziehen Sie auch die Antenne bzw. den Kabelanschluss ab.
- **Überlastung** – Nicht die Netzsteckdosen, Verlängerungsschnuren und Vielfachsteckdosen überlasten. Das kann zu Feuer und Stromschlag führen.
- **Eindringen von Gegenständen und Flüssigkeiten** – Niemals Gegenstände jeglicher Art ins Gerät stecken. Sie können unter Spannung stehende Teile berühren oder Komponenten kurzschließen und dadurch Feuer und Stromschlag verursachen. Niemals Flüssigkeiten auf das Gehäuse gießen.
- **Reparaturen** – Versuchen Sie auf keinen Fall, das Gerät selbst zu reparieren, denn Sie setzen sich gefährlichen Spannungen und anderen Risiken aus. Alle Reparaturen müssen von einem Fachmann vorgenommen werden.
- **Ersatzteile** – Wenn Ersatzteile benötigt werden, vergewissern Sie sich, dass der Techniker die vom Hersteller angegebenen Teile benutzt, die dieselben technischen Eigenschaften wie die Originalteile besitzen müssen. Ungeeignete Ersatzteile können Feuer, Stromschlag und andere Gefahren verursachen.
- **Sicherheitstest** – Nach Abschluss der Reparaturarbeiten muss der Techniker Sicherheitstest ausführen, um sich zu vergewissern, dass das Gerät in einwandfreiem Betriebszustand ist.
- **Hitze** – Das Gerät vor Hitze wie Heizkörpern, Heizungen und anderen Wärme abgebenden Geräten (inkl. Verstärker) schützen.

ACHTUNG: UM STROMSCHLAG ZU VERMEIDEN, NICHT DAS GERÄT ÖFFNEN. ES ENTHÄLT KEINE VOM BENUTZER AUSWECHSELBAREN TEILE. REPARTUREN DÜRFEN NUR VON FACHPERSONAL VORGENOMMEN WERDEN.

GEFÄHRLICHE SPANNUNGEN :



Der Blitz im Dreieck bedeutet, dass Ihre Gesundheit gefährdet ist (durch einen Stromschlag, zum Beispiel).



Ein Ausrufezeichen in einem Dreieck weist auf spezifische Gefährdungen in der Handhabung oder Bedienung des Geräts hin

HINWEIS: Nach längerem Gebrauch wird das Gerät warm. Das ist normal und weist nicht auf einen Defekt hin.

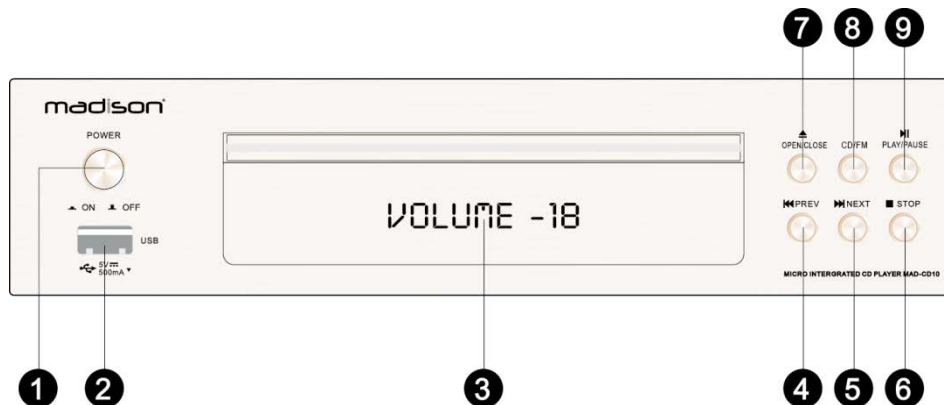


Dieser Artikel entspricht der CE-LVD Richtlinie: EN60065

Verpackungsinhalt

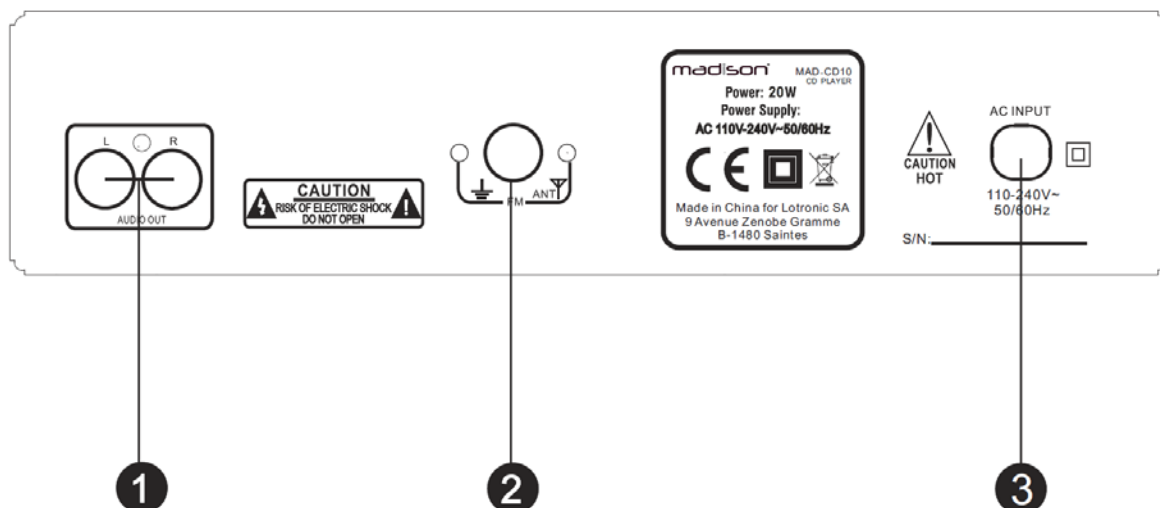
1. CD Spieler
2. Fernbedienung
3. 2 x AA Batterien
4. FM Antenne
5. Cinch Audio Kabel
6. Benutzerhandbuch

Beschreibung der Frontblende:



Regler	Funktion
1	EIN/AUS
2	USB Eingang für MP3 & WMA Audio File Playback
3	LED Display
4	Zurück zum vorigen Titel
5	Weiter zum nächsten Titel
6	Stopp
7	Öffnen/Schliessen der CD Lade
8	CD/FM Eingangswahlschalter
9	Play/Pause

Beschreibung der Rückseite



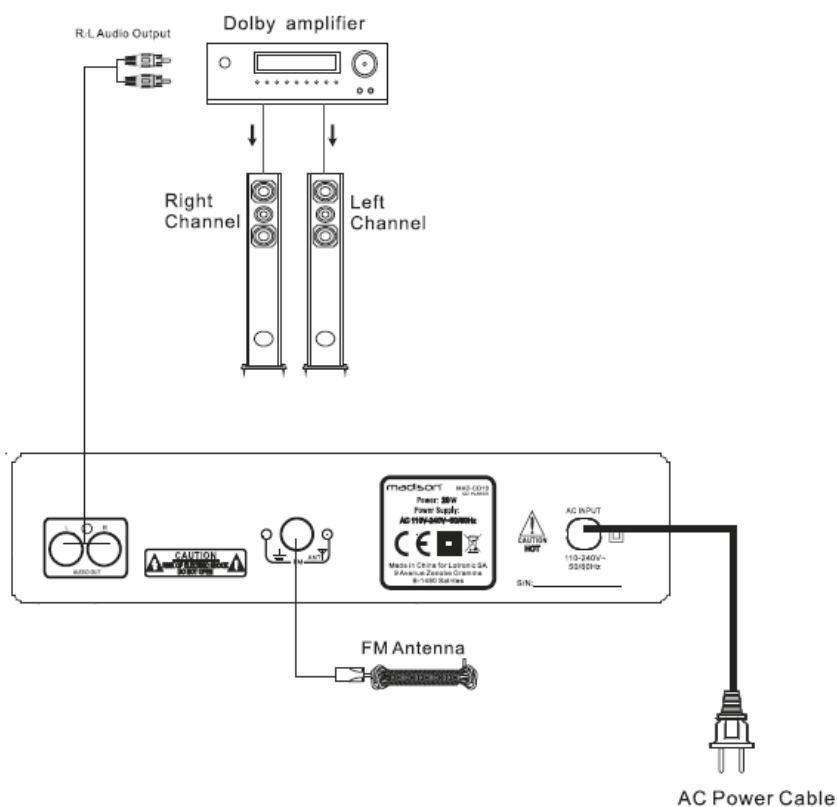
Bedienteil	Funktion
1	L/R Analoger Audio Ausgang (RCA)
2	FM Radio Antenne
3	AC Netzeingang

Fernbedienung:

Taste	Funktion
	Öffnet und schließt die CD Lade
SCAN	Suche und Speichern von FM Radiosendern
CD/USB	Wahl der CD oder USB Eingangsource
CD	CD Betrieb
FM	FM Betrieb
NUMMERNTASTEN 1-9	Zur Direktwahl eines Titels die Nummerntasten 0-9 drücken bzw. mit 1-9 einen gespeicherten Radiosender wählen
NUMMERNTASTE 10+	Wenn die Titelnummer die Ziffer 10 übersteigt, drücken Sie zuerst die 10+ Taste
	Schneller Vor-/Zurücklauf im CD Betrieb oder Aufwärts/Abwärtsschlauf durch die Radiofrequenzen im FM Betrieb
	Im CD Betrieb: Abspielden/Pause/ Stoppen eines Titels
MUTE	Tonstopp in jeder Betriebsart. Erneut drücken, um den Ton wieder zuzuschalten
VOLUME +/-	Einstellung der Lautstärke in allen Betriebsarten
CHANNEL or TRACK +/-	Wahl des nächsten bzw. vorigen Senders im FM Betrieb oder des nächsten/vorigen Titels im CD/USB Betrieb



Anschlüsse auf der Rückseite



Grundfunktionen

Fernbedienung

- Legen sie die Batterien polungsrichtig in die Fernbedienung ein.
- Um normal zu funktionieren, muss sich die Fernbedienung innerhalb von 7m von der Anlage befinden und direkt auf die Anlage gerichtet sein.
- In einigen Fällen kann es vorkommen, dass die Funktionsfähigkeit durch andere hochfrequente Signale beeinträchtigt wird.
- Bei längerem Nichtgebrauch die Batterien entfernen, um eine Auslaufen zu vermeiden.
- Vor Staub, Feuchtigkeit, Hitze und anderen extremen Bedingungen schützen.

Abspielen einer CD :

Der CD Spieler kann 12cm und 8cm CD abspielen. Der Spieler ist nicht kompatibel mit DVD/DVD-R/DVD-RW/DVD Audio/DVD Rom oder SACD.

Die kompatiblen Audiodateiformate sind:

- CD Audio
- MP3 Audio :
 - MPEG 1 & 2, Audio layer 3 file
 - Dateiformat: MP3
 - Transfer Bit Rate : 8kbps ~ 320 kbps
- WMA Audio :
 - Windows Media File
 - Dateiformat: WMA
 - Transfer Bit Rate : 8kbps ~ 320 kbps
 - Nicht unterstützte Dateiformate, die mit Windows Media Player 9 oder später erstellt wurden:
 - WMA Professional
 - WMA Lossless
 - WMA Voice

Grundschritte

- ON auf der Frontblende drücken, um die Anlage einzuschalten.
- CD Taste drücken bis 'CD' auf der Frontblende erscheint.
- Die Eject Taste (▲) auf der Fernbedienung oder der Frontblende drücken, um die CD Lade zu öffnen.
- Eine CD in die Lade legen mit der beschriebenen Seite nach oben. Die EJECT (▲) Taste drücken, um die Lade zu schließen.

Abspielen einer CD:

- Die Abspieltaste (▶) auf der Fernbedienung oder der Frontblende drücken und die CD wird ab Titel 1 abgespielt.

Pausieren des Titels:

- Die Pausetaste (||) auf der Fernbedienung oder der Frontblende drücken und die CD pausiert.
- Erneut die Abspieltaste (▶) drücken, um den Titel von derselben Stelle aus weiter abzuspielen.

Stoppen:

- Die Stopp Taste (■) auf der Fernbedienung oder der Frontblende drücken und die CD stoppt. Erneut die Abspieltaste (▶) drücken, um den ersten Titel der CD abzuspielen.

Abspielen eines bestimmten Titels:

- Während des Abspielens die CHANNEL TRACK + bzw. – Taste auf der Fernbedienung drücken, um den gewünschten Titel zu wählen.
- Die entsprechenden Nummerntasten (1~9) auf der Fernbedienung drücken, um direkt den gewünschten Titel einzugeben.

Einen bestimmten Teil eines Titels wählen:

- Während des Abspielens die FWD (▶▶) oder RWD (◀◀) Taste auf der Fernbedienung gedrückt halten, um den laufenden Titel abzusuchen.

FM Radio:

Das FM Radio arbeitet auf folgendem Frequenzband:

UKW : 87MHz ~ 107MHz

Grundschritte :

- Die ON Taste auf der Fernbedienung drücken, um die Anlage einzuschalten.
- FM Taste drücken, bis eine Radiofrequenz auf dem Display erscheint.

Einstellen von Radiosendern:

Für das AM und FM Band gibt es 3 Möglichkeiten, Sender einzustellen:

Voll automatische Einstellung

- Im Radiobetrieb die AUTO Taste auf der Fernbedienung drücken. Die Anlage sucht und speichert automatisch alle starken Frequenzen, die sie findet.

Halbautomatische Einstellung

- Im Radiobetrieb die “ << “ oder “ >> “ Taste auf der Fernbedienung oder der Frontblende gedrückt halten und das Frequenzband wird in der gewählten Richtung bis zur nächsten starken Frequenz abgesucht.

Manuelle Einstellung

- Im Radiobetrieb die “ << “ oder “ >> “ Taste auf der Fernbedienung oder der Frontblende drücken und das Frequenzband wird Schritt für Schritt abgesucht. Die “ << “ bzw. “ >> “ Taste drücken, bis die gewünschte Frequenz erreicht ist.

Speichern von Radiosendern

- Im voll automatischen und halb automatischen Suchlauf werden die starken Sender automatisch gespeichert. Im manuellen Suchlauf wird die Frequenz gespeichert, wenn Sie die „<<“ bzw. „>>“ Taste länger als 2 Sekunden loslassen. Die Sender werden in den Speicherplätzen 1 bis 10 gespeichert und können durch Drücken der CHANNEL TRACK „+“ oder „-“, Taste gewählt werden.

Abspielen vom USB Medium

Diese Anlage kann Audiodateien von USB Sticks im FAT32 Dateiformat mit höchstens 16GB lesen.

Die kompatiblen Audiodateiformate sind:

- MP3 Audio :
 - MPEG 1 & 2, audio layer 3 files
 - Dateiformat : .MP3
 - Transfer Bit Rate : 8kbps ~ 320kbps
- WMA Audio :
 - Windows Media file
 - Dateiformat : .WMA
 - Transfer Bit Rate : 8kbps ~ 320kbps
- Nicht unterstützte Dateiformate, die mit Windows Media Player 9 oder später erstellt wurden:
 - WMA Professional
 - WMA Lossless
 - WMA Voice

Grundschritte

- Die ON Taste auf der Frontblende drücken, um die Anlage einzuschalten.
- In jeder beliebigen Betriebsart einen USB Stick in den USB Eingang an der Frontblende des CD Spielers stecken. Die USB Taste auf der Fernbedienung oder der Frontblende drücken.

Abspielen eines Titels:

- Die Abspieltaste (▶) auf der Fernbedienung oder der Frontblende drücken und Titel 1 wird abgespielt.

Pausieren des Titels:

- Die Pausetaste (II) auf der Fernbedienung oder der Frontblende drücken und der Titel pausiert.
- Erneut die Abspieltaste (▶) drücken, um den Titel von derselben Stelle aus weiter abzuspielen.

Stoppen:

- Die Stopp Taste (■) auf der Fernbedienung oder der Frontblende drücken und der Titel stoppt. Erneut die Abspieltaste (▶) drücken, um den ersten Titel abzuspielen.

Abspielen eines bestimmten Titels:

- Während des Abspielens die Vorwärts/Rückwärtstaste (▶▶/◀◀) auf der Frontblende bzw. die CHANNEL/TRACK + oder – Taste auf der Fernbedienung drücken, um den gewünschten Titel zu wählen.
- Die entsprechenden Nummerntasten (1~9) auf der Fernbedienung drücken, um direkt den gewünschten Titel einzugeben.

Einen bestimmten Teil eines Titels wählen:

- Während des Abspielens die FWD (▶▶) oder RWD (◀◀) Taste auf der Fernbedienung gedrückt halten, um den laufenden Titel abzusuchen.

Entfernen des USB Sticks :

- Die STOPP Taste (■) auf der Fernbedienung oder der Frontblende drücken und der Titel stoppt. Der USB Stick kann nun sicher entfernt werden.

Anschluss des Line Ausgangs an einen Fremdverstärker oder Empfänger

Die Anlage verfügt über einen L/R Cinch Stereo Ausgang auf der Rückseite des CD Teils, der zu jedem herkömmlichen Verstärker passt.

Grundschrirte

- Ein Paar Cinch Stereo Kabel von den Line Eingangsbuchsen Ihres Audioverstärkers an die roten und weißen LINE OUT Buchsen auf der Rückseite des CD Spielers anschließen.
- Sie können nun entweder den CD Spieler oder die USB Eingänge als Eingangsquelle wählen. Die Lautstärke muss jedoch nun vom Audioverstärker eingestellt werden. Bitte befolgen Sie die Anweisungen des Verstärkerherstellers.

Fehlerdiagnose

PROBLEM	MÖGLICHE URSACHE	LÖSUNG
Fernbedienung		
Die Fernbedienung funktioniert nicht	<ul style="list-style-type: none"> • Die Batterien sind leer • Die Fernbedienung ist zu weit von der Anlage entfernt, der Winkel weicht zu sehr von der Mitte ab oder es befindet sich ein Hindernis zwischen Anlage und Fernbedienung 	<ul style="list-style-type: none"> • Neue Batterien einsetzen • Die Fernbedienung innerhalb des vorgeschriebenen Bereichs benutzen
CD Player		
Kein Ton	<ul style="list-style-type: none"> • Es liegt keine CD ein • Die CD wurde falsch herum eingelegt • Gerät ist im Pausenbetireb • CD ist verschmutzt oder zerkratzt 	<ul style="list-style-type: none"> • CD einlegen • CD mit der bedschriebenen Seite nach oben einlegen • Pausenbetrieb verlassen • CD reinigen oder eine andere CD einlegen
Ton- und Titelsprünge	<ul style="list-style-type: none"> • CD ist verschmutzt oder zerkratzt 	<ul style="list-style-type: none"> • CD reinigen oder eine andere CD einlegen
FM Radio :		
Kein Empfang	<ul style="list-style-type: none"> • Die Antenne ist nicht angeschlossen • Die Senderfrequenz ist nicht richtig eingestellt 	<ul style="list-style-type: none"> • Antenne anschliessen. • Senderfrequenz richtig einstellen
Kein Empfang der gespeicherten Sender	<ul style="list-style-type: none"> • Ein falsche Frequenz wurde gespeichert • Der Speicher ist leer, weil das Gerät mehrere Tage nicht ans Netz angeschlossen war 	<ul style="list-style-type: none"> • Richtige Senderfrequenz speichern • Erneut die Sender speichern
Störgeräusche	<ul style="list-style-type: none"> • Die Störung wird von einem Elektrogerät verursacht. • Störung wird von einem Fernseher verursacht 	<ul style="list-style-type: none"> • Alle unnötigen Elektrogeräte in der Nähe ausschalten. • Anlage weiter vom Fernseher installieren

USB Eingang :		
Es sind keine Dateien zum Abspielen vorhanden	<ul style="list-style-type: none"> • Es sind keine Dateien auf dem USB Stick. • Der USB Stick ist nicht nach dem FAT32 Dateiensystem formatiert. • Die Dateien auf dem USB Stick sind nicht im MP3 Audioformat 	<ul style="list-style-type: none"> • Dateien auf den USB Stick. • Den USB Stick nach dem FAT32 System formatieren. • MP3 Audiodateien auf dem USB Stick speichern.

Technische Daten :

Beschreibung :	CD Player
Versorgung	AC 110-240V/ 50/60 HZ 20W
Radiofrequenzband	FM : 87-108MHz
Störabstand	>85dB
Frequenzbereich (1KHz) :	20Hz-20KHz+2dB
Abmessungen :	200 x 295 x 140mm



WICHTIGER HINWEIS: Elektrogeräte gehören nicht in den Hausmüll. Sie müssen in speziellen Betrieben recycelt werden. Wenden Sie sich hierzu an die örtlichen Behörden oder Ihren Fachhändler!

RO

MANUAL DE UTILIZARE

Instructiuni privind siguranta :

Va felicitam pentru achizitionarea acestui produs. Pentru a obtine cele mai bune rezultate si pentru a va familiariza cu comenzile aparatului va rugam sa cititi cu atentie acest manual inainte de utilizarea produsului. Acest lucru va asigura o utilizare indelungata , performante maxime si o auditie foarte placuta.

Note importante :

- Pastrati manualul pentru consultari ulterioare.
- Nu expuneti aparatul la stropirea cu lichid. Nu puneti vase cu lichid (cum ar fi vase cu flori) deasupra sau langa aparat.
- Evitati instalarea aparatului in locuri in care :
 - Este expus direct in bataia soarelui
 - Deasupra echipamentelor care radiaza caldura.
 - In spatii inchise in care nu exista ventilatie sau in medii cu mult praf.
 - In medii cu vibratii constante.
 - In medii cu umiditate ridicata.
- Nu amplasati surse cu flacara deschisa pe sau lanfa aparat (cum ar fi lumanari aprinse).
- Inainte de pornirea aparatului, verificati cablul de instalare sa fie corect instalat si desfacut complet.
- Din motive de siguranta, nu desfaceti capacul aparatului. In caz contrar va expuneti la tensiuni periculoase – pericol de electrocutare!
- Pentru reparatii apelati doar la personal autorizat.
- Nu exista piese de schimb in interiorul aparatului – nu- deschideti aparatul.
- In caz de deconectare de urgenta de la retea de alimentare, accesul la priza de perete trebuie sa fie rapid si usor..
- Nu expuneti bateriile la surse de caldura, foc sau in bataia directa a soarelui.



CAUTION
RISK OF ELECTRIC
SHOCK



ATENȚIE : PENTRU A REDUCE RISCUL APARIȚIEI UNUI SOC ELECTRIC, NU DESCHIDEȚI CAPACUL APARATULUI. NU EXISTA COMPONENTE UTILE IN INTERIOR, APELATI DOAR LA PERSONAL CALIFICAT IN CAZ DE DEFECTIUNE.

TENSIUNI PERICULOASE :



Tensiuni periculoase, suficient de mari incat sa constituie pericol de electrocutare.



ATENȚIE : Manualul de utilizare contine instructiuni importante referitoare la intretinere si siguranta.

ATENȚIE : PENTRU A PREVENI RISCUL UNUI SOC ELECTRIC, NU EXPUNETI APARATUL LA STROPIREA CU LICHIDE.

NOTA : Acest aparat se incalzeste dupa o anumita perioada de timp. Este normal si nu constituie o problema cu aparatul.



Acest produs respecta cerintele directivei CE-LVD: EN60065

PRECAUTII GENERALE :

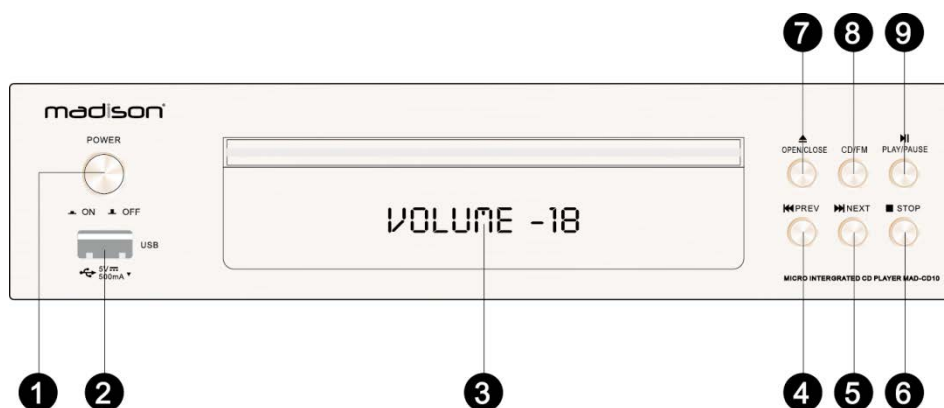
- Acest echipament a fost proiectat astfel incat respecta cerintele de siguranta internationale, dar , ca si la orice echipament electric, trebuie acordata o atentie suplimentara pe durata utilizarii aparatului.
- Cititi cu atentie manualul inainte de utilizarea aparatului.
- Verificati ca toate conexiunile electrice (inclusiv cordonul de alimentare si conexiunile intre componentele sistemului) sa fie facute corect si corespunzator cu cerintele producatorului.
- Opriti aparatul si deconectati-l de la retea inainte de face orice modificare la conexiunile sistemului.
- Consultati un specialist daca aveti dubii cu privire la instalarea aparatului, utilizarea sau siguranta aparatului. Nu desfaceti capacul aparatului deoarece va expuneti la tensiuni posibil periculoase.
- Nu obturati orificiile de ventilare ale aparatului, pentru a asigura racirea acestuia.
- Nu expuneti aparatul la stropirea cu lichide si nu puneti pe sau langa aparat vase cu lichide (cum ar fi vase de flori).
- Nu amplasati obiecte fierbinti sau flacara deschisa pe sau langa aparat (cum ar fi lumanari aprinse). Temperaturile mari pot topi plasticul si pot provoca incendii.
- Nu ascultati muzica la volum maxim – risc de deteriorare iremediabila a auzului.
- Nu lasati echipamentul pornit daca este nesupravegheat.
- Nu utilizati aparatul daca nu functioneaza corespunzator. Opriti imediat aparatul, deconectati-l de la retea si prezentati-l la un service specializat pentru repararea acestuia.
- Descarcari electrostatice: in cazul unei functionari necorespunzatoare datorate unei descarcari electrostatice, resetati sistemul prin deconectarea acestuia de la rețeaua de alimentare pentru 5 minute, apoi reconectati alimentarea si porniti aparatul.

NOTA : NU deschideti aparatul si nu incercati sa-l reparati singuri. Prezentati-va la un centru de service specializat.

Continut colet :

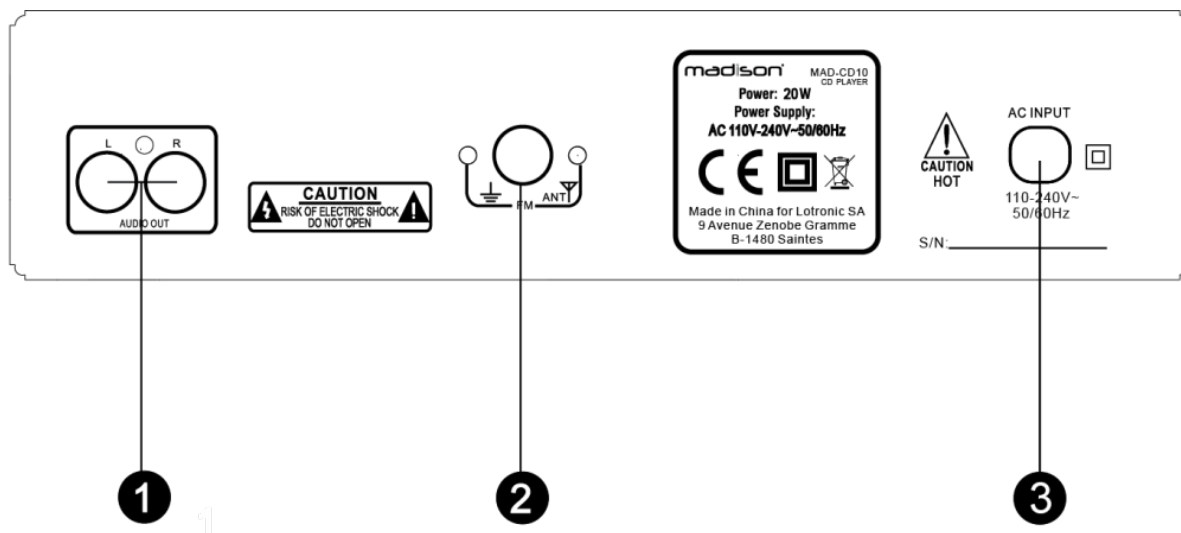
1. Unitate CD Player
2. Telecomenda
3. 2 baterii AA
4. Antena FM
5. Cablu audio RCA
6. Manual de utilizare

Panoul frontal:



Buton	Funcție
1	Comutator ON/OFF
2	Intrare USB pentru redare fisier audio MP3 & WMA
3	Afisaj cu LED
4	Selectare piesa anterioara
5	Selectare piesa urmatoare
6	Oprire redare piesa curenta
7	Deschidere/inchidere usa compartiment CD
8	Selector intrare CD/FM
9	Redare/pauza

Panoul din spate :



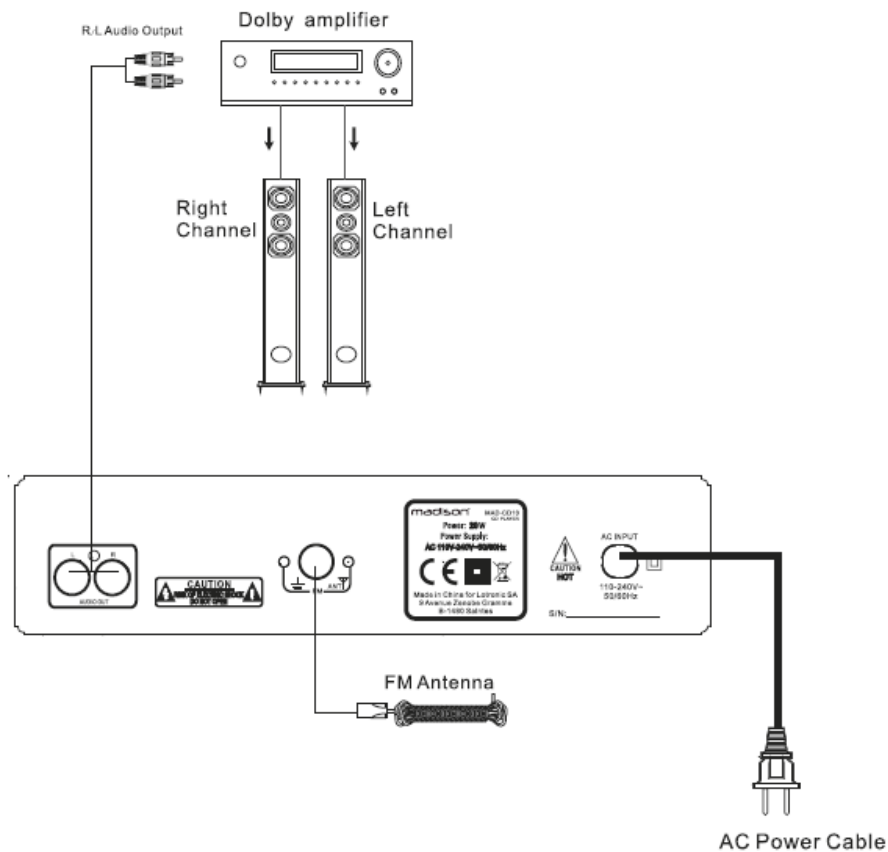
Buton	Funcție
1	Iesire analogica stanga/dreapta (RCA)
2	Antena radio FM
3	AC Power Input

Funcții telecomanda :

Buton	Funcție
OPEN/CLOSE	▲ Deschide / inchide compartimentul CD
SCAN	Scanează și salvează automat posturile radio FM
CD/USB	Selectare intrare CD sau USB
CD	Selectare mod CD
FM	Selectare mod tuner FM
BUTOANE NUMERICE 1-9	Pentru a selecta direct o piesă sau un post radio memorat apăsați tastele numerice 1-9
BUTONUL 10+	Dacă numărul unei melodii este mai mare de 10, puteți selecta prin apăsarea pe tasta 10+
⏮ / ⏭	Pentru mers înainte / înapoi prin lista redare CD sau pentru scanare frecvențe radio FM
▶ / ⏸ / ■	Redare, pauză sau stop în modul CD
MUTE	Butonul MUTE (silentios) oprește complet sunetul, în orice mod s-ar găsi aparatul. Pentru anulare, apăsați încă o dată pe același buton.
VOLUME +/-	Reglarea volumului pe toate modurile.
⏮ ▶▶ CHANNEL sau TRACK +/-	Pentru a selecta postul radio următor sau anterior (pe modul FM) sau pentru a selecta melodia următoare sau anterioară (pe modul CD/USB)



Conexiuni panoul din spate :



Operatii de baza :

Telecomanda :

- Verificati ca bateriile sa fie instalate corect, respectand polaritatea corecta.
- Pentru o functionare corespunzatoare, indreptati telecomanda direct catre sistem de la o distanta de maxim 7 m.
- In unele cazuri functionarea telecomenzii poate fi afectata de interferente cu alte dispozitive electronice.
- Daca nu utilizati telecomanda o lunga perioada de timp, scoateti bateriile din ea, pentru a evita scurgerea acestora si deteriorarea telecomenzii.
- Nu pastrati telecomanda in medii cu praf, umede, in bataia directa a soarelui sau in medii cu temperaturi extreme.

Redare CD :

Sistemul poate reda CD-uri cu diametru de 12cm si 8cm. Sistemul nu este compatibil cu DVD/DVD-R/DVD-RW/DVD Audio/DVD Rom sau SACD.

Fisierele audio care pot fi redade sunt :

- CD Audio
- MP3 Audio :
 - MPEG 1 & 2
 - Extensie fisier : MP3
 - Rata transfer: 8kbps - 320 kbps
- WMA Audio :
 - Windows media File
 - Extensie fisier: WMA
 - Rata transfer : 8kbps - 320 kbps
 - Fisiere incompatibile create cu Windows Meda Player 9 (sau mai recent) sau incompatibile:
 - WMA Professional
 - WMA Lossless
 - WMA Voice

Operatii de baza :

- Apasati butonul ON de pe telecomanda pentru a porni sistemul.
- Apasati butonul CD pana cand apare pe afisaj 'CD'
- Apasati butonul Eject (▲) de pe telecomanda pentru a deschide compartimentul CD.
- Introduceti un CD in compartimentul CD (cu partea imprimata in sus) apoi apasati butonul Eject (▲) din nou pentru a inchide compartimentul CD.

Pentru redare CD :

- Apasati butonul Play (▶) de pe telcomanda sau de pe panoul frontal al aparatului pentru a incepe redarea incepand melodia nr. 1 de pe CD.

Pauza redare :

- Apasati butonul Pause (||) de pe telecomanda sau de pe panoul frontal pentru a opri redarea.
- Apasati butonul Play (▶) din nou pentru a porni redarea din punctul de unde s-a oprit.

Oprire redare :

- Apasati butonul Stop (■) de pe telecomanda sau de pe panoul frontal si redare se va opri. Apasand din nou butonul Play (▶||) se va porni redarea incapend cu melodia nr. 1 de pe disc.

Redarea unei anumite melodii :

- Pe durata redarii, apasati butonul CHANNEL/TRACK +/- de pe telecomanda pentru a selecta melodia dorita.
- Apasati unul din butoanele numerice (1~9) de pe telecomanda pentru a accesa direct melodia dorita.

Pentru a selecta o anumita parte din melodie :

- Pe durata redarii, apasati si tineti apasat butonul FWD (▶▶) sau butonul RWD (◀◀) de pe telecomanda pentru a scana piesa curenta pana la partea dorita.

Redare radio FM:

Domeniul de frecventa FM: 88 MHz - 108 MHz

Operare de baza :

- Apasati butonul ON de pe telecomanda pentru a porni sistemul.
- Apasati butonul FM pana cand apare pe afisaj frecventa radio

Scanare posturi radio :

Exista 3 moduri de scanare pentru modurile FM.

Scanare automata :

- Pe modul radio, apasati butonul 'AUTO' de pe telecomanda, sistemul va cauta automat posturile radio cu cel mai puternic semnal si le va salva.

Scanare semi-automata:

- Pe modul radio, apasati si tineti apasat butoanele « << » sau « >> » de pe telecomanda sau de pe panoul frontal si aparatul va incepe scanarea in directia selectata a celui mai apropiat post de frecventa curenta.

Scanare manuala :

- Pe modul radio, apasati butoanele « << » sau « >> » de pe telecomanda sau de pe panoul frontal si frecventa radio se va schimba in directia selectata cu cate 1 pas . Apasati in mod repetat butoanele « << » sau « >> » pana cand gasiti frecventa postului dorit (aici trebuie sa cunoasteti frecventa postului).

Memorare posturi radio :

- În complet automat și semi-automat modul de acord, frecvențele postului de radio puternice vor fi salvate automat.
- Tuning manual va salva automat frecvența atunci când opriți apăsarea tastei "<<" sau ">>" pentru mai mult de 2 secundă, apoi salvați-l de la stația de la 1 la 10. Puteți selecta o stație prin apăsarea "Channel / Track + sau - buton de pe telecomandă.

Redare USB :

Sistemul poate reda fisiere audio memorate pe un stick USB formatat in formatul FAT32, cu o capacitate de maxim 16 GB.

Fisierele audio care pot fi redade sunt :

- CD Audio
- MP3 Audio :
 - MPEG 1 & 2
 - Extensie fisier : MP3
 - Rata transfer: 8kbps - 320 kbps
- WMA Audio :
 - Windows media File
 - Extensie fisier: WMA
 - Rata transfer : 8kbps - 320 kbps
 - Fisiere incompatibile create cu Windows Meda Player 9 (sau mai recent) sau incompatibile:
 - WMA Professional
 - WMA Lossless
 - WMA Voice

Operatii de baza :

- Apasati butonul ON de pe telecomanda pentru a porni sistemul.
- Pe orice mod este sistemul, introduceti un stick de memorie USB in slotul USB de pe panoul frontal. Pentru a selecta redarea USB, selectati USB input de pe telecomanda sau de pe panoul frontal.

To play an audio track :

- Apasati butonul Play (▶) de pe telecomanda sau de pe panoul frontal si aparatul va incepe redarea incepand cu melodia nr. 1 de pe stick-ul USB.

Pauza redare :

- Apasati butonul Pause (||) de pe telecomanda sau de pe panoul frontal pentru a opri redarea.
- Apasati butonul Play (▶) din nou pentru a porni redarea din punctul de unde s-a oprit.

Oprire redare :

- Apasati butonul Stop (■) de pe telecomanda sau de pe panoul frontal si redare se va opri. Apasand din nou butonul Play (▶) se va porni redarea incepand cu melodia nr. 1 de pe stick-ul USB.

Redarea unei anumite melodii :

- Pe durata redarii, apasati butonul Backward/Forward (◀▶) de pe panoul frontal sau butoanele Channel+/Channel- de pe telecomanda pentru a selecta melodia dorita.
- Apasati unul din butoanele numerice (1~9) de pe telecomanda pentru a accesa direct melodia dorita.

Pentru a selecta o anumita parte din melodie :

- Pe durata redarii, apasati si tineti apasat butonul FWD (▶▶) sau butonul RWD (◀◀) de pe telecomanda pentru a scana piesa curenta pana la partea dorita.

Indepartare stick USB :

- Apasati butonul Stop (■) de pe telecomanda sau de pe panoul frontal pentru a opri redarea. Acum puteti scoate stick-ul USB de pe panoul frontal.

Conectarea unui amplificator extern sau a unui receptor la Line Out :

Sistemul are o iesire stereo RCA stanga/dreapta pe partea din spate a aparatului. Aceasta iesire este compatibila cu orice sistem uzual de sunet.

Operatii de baza :

- Conectati o pereche de cabluri RCA de la mufele de intrare RCA ale amplificatorului la mufele de iesire RCA de pe spatele aparatului nostru (LINE OUT).
- Puteti selecta ca sursa de iesire CD player sau intrarea USB, volumul va fi acum controlat de catre amplificatorul la care este conectat aparatul nostru. Respectati recomandarile fabricantului amplificatorului extern utilizat pentru utilizare acestuia.

Depanare :

PROBLEMA	CAUZA POSIBILA	REMEDIU
Remote Control :		
Telecomanda nu functioneaza	<ul style="list-style-type: none">• Betariile sunt descarcate• Telecomanda este prea departe fata de aparat, nu este orientata direct catre aparat sau este un obstacol intre ele.	<ul style="list-style-type: none">• Inlocuiti bateriile• Utilizati telecomanda de la distanta corespunzatoare si orientata corespunzator.
Redare CD:		
Fara sunet	<ul style="list-style-type: none">• Nu este disc• Discul a fost introdus cu fata in sus.• Este in modul pauza.• Discul este murdar sau zgariat.	<ul style="list-style-type: none">• Introduceti un disc.• Introduceti discul cu fata imprimanta in sus.• Iesiti din modul pauza.• Curatati discul sau introduceti un alt disc.
Sare peste melodii	<ul style="list-style-type: none">• Discul este murdar sau zgariat.	Curatati discul sau introduceti un alt disc.
Radio FM :		
Nu se receptioneaza posturi radio	<ul style="list-style-type: none">• Antena nu este conectata• Frecventa postului nu este setata corespunzator	<ul style="list-style-type: none">• Conectati antena.• Setati o frecventa corecta
Nu se redau posturile memorate	<ul style="list-style-type: none">• S-a memorat un post radio incorect• Posturile memorate au fost	<ul style="list-style-type: none">• Memorati un post radio cu o frecventa corecta• Memorati posturile din nou.

	sterse deoarece alimentarea de la retea a fost oprita mai multe zile.	
Interferente	<ul style="list-style-type: none"> • Zgomot cauzat de influenta unui echipament electric. • Zgomot cauzat de influenta unui echipament TV. 	<ul style="list-style-type: none"> • Opriti echipamentele electrice din apropiere. • Instalati sistemul mai departe de sistemul TV.
Intrare USB:		
Nu sunt fisier disponibile pentru redare	<ul style="list-style-type: none"> • Nu sunt fisier pe stick-ul USB • Stick-ul Usb nu este formatat in formatul FAT32. • Fisierele nu sunt in format MP3 audio 	<ul style="list-style-type: none"> • Add files to the USB stick. • Reformatati stick-ul USB in sistemul FAT32 • Adaugati fiasiere audio MP3 pe stick-ul USB.

Specificatii :

PARAMETRU	SPECIFICATII
Descriere :	CD Player
Alimentare :	AC 110-240V/ 50/60 HZ 20W
Domeniu frecventa FM :	FM : 88 – 108 MHz
Raport semnal/zgomot (S/N) :	> 85 dB
Raspuns in frecventa :	20 Hz – 20 kHz, +2dB
Dimensiuni :	Unitatea principala (mm) : L 200 x W 295 x H 140



RECICLAREA CORECTA A ACESTUI PRODUS

Simbolul alăturat indică faptul că deșeurile de echipamente electrice și electronice nu se reciclează împreună cu deșeurile menajere. Pentru a preveni un posibil pericol față de mediul înconjurător sau față de sănătatea dumneavoastră din cauza reciclării necontrolate a deșeurilor, vă rugăm să separați acest produs de alte tipuri de deșeuri și să-l reciclați în mod responsabil. Reciclarea controlată a aparatelor de uz casnic joacă un rol vital în re folosirea, recuperarea și reciclarea echipamentelor electrice și electronice.

Precauções de segurança importantes:

Parabéns pela sua aquisição e obrigado por escolher o componente do sistema micro Hi-Fi. Para alcançar o máximo de prazer e desempenho do seu novo sistema e, a fim de familiarizar-se com as suas características, por favor leia este manual cuidadosamente antes da operação. Isto irá assegurar anos de, desempenho livre de problemas fiel e prazer escutando.

Anotações Importantes :

- Estas instruções de segurança e operação devem ser guardadas para referência futura.
- Este aparelho não deve ser exposto a gotas ou salpicos de líquidos. Nenhum objeto com líquidos, como jarras ou copos deve ser colocado sobre ou perto deste aparelho.
- Evite instalar esta unidade em locais, tais como:
 - Locais expostos à luz solar directa ou perto de aparelhos radiadores de calor, como aquecedores elétricos.
 - Em cima de outro equipamento estéreo que irradiam muito calor.
 - Espaços que bloqueiam ventilação ou em locais excessivamente empoeirados fechado.
 - Locais sujeitos a vibração constante.
 - Locais húmidos ou molhados.
- Nenhum tipo de chama, como velas acesas deve ser colocado sobre ou perto da unidade.
- Antes de ligar o aparelho pela primeira vez, verifique se o cabo de alimentação está instalado corretamente, e totalmente desenrolada.
- Por razões de segurança, não remova quaisquer tampas ou parafusos ou tentar ganhar acesso ao interior do produto por qualquer motivo. Se o fizer, vai expô-lo a tensão perigosa e anulará a garantia imediatamente.
- Consulte qualquer serviço de técnicos qualificados e devidamente autorizados.
- Não há peças reparáveis pelo usuário em qualquer lugar no interior da unidade.
- Quando a ficha de ALIMENTAÇÃO ou um acoplador de aparelhos é usado como o dispositivo de desconexão, o dispositivo de desconexão deve ficar prontamente operável;
- As baterias (bateria ou baterias instaladas) não devem ser expostas a calor excessivo, como luz solar, fogo ou algo semelhante.



CUIDADO: PARA REDUZIR O RISCO DE CHOQUE ELÉTRICO NÃO RETIRE A TAMPA OU DE VOLTA. NÃO peças no interior, recorra aos serviços de QUALIFICADO.

TENSÃO PERIGOSA:

Tensões perigosas, que podem ser de magnitude suficiente para constituir um risco de choque elétrico para as pessoas está presente dentro da caixa do produto.

ATENÇÃO:

O manual do proprietário contém instruções importantes de utilização e manutenção, para sua segurança, é necessário consultar o manual.

AVISO: PARA EVITAR UM INCÊNDIO OU DE CHOQUE ELÉTRICO, NÃO EXPOR ESTE APARELHO a gotas ou salpicos.

NOTA : Esta unidade irá tornar-se quente quando utilizada durante um longo período de tempo. Isso é normal e não indica um problema com a unidade.



Este produto está em conformidade com a directiva CE-LVD: EN60065

PRECAUÇÕES GERAIS:

Alguns fazer e não fazer sobre o uso seguro deste aparelho eléctrico:

Este equipamento foi projetado e fabricado para atender aos padrões internacionais de segurança, mas como qualquer cuidado equipamento eléctrico deve ser tomado se estiver a obter os melhores resultados e segurança deve ser assegurada.

FAZ leia as instruções de funcionamento antes de tentar utilizar o equipamento.

FAZ garantir que todas as ligações eléctricas (incluindo a ficha de alimentação, cabos de extensão e insira-conexões entre as peças do equipamento) estão correctamente fabricadas e de acordo com as instruções do fabricante.

FAZ desligar e remover o plugue da tomada antes de fazer ou alterar qualquer ligação a esta unidade.

FAZ consulte o seu revendedor se você estiver em dúvida sobre a instalação, operação ou a segurança do seu equipamento.

NÃO remover qualquer tampa fixa uma vez que pode expô-lo a tensões perigosas e potencialmente mortais.

NÃO sobreaquecer a unidade que pode causar danos e reduzir a vida útil do equipamento.

NÃO permitir que o equipamento eléctrico fique exposto a pingos ou salpicos, ou objectos com líquidos, como vasos, deve ser colocado sobre o equipamento.

NÃO coloque objectos quentes ou fontes de chamas abertas, tais como velas acesas ou lâmpadas nocturnas em cima ou perto do equipamento. As temperaturas elevadas podem derreter o plástico e provocar incêndios.

NÃO ouvir em volume muito alto. Isso pode danificar permanentemente a sua audição.

NÃO deixar o equipamento ligado quando é autônoma. Desligue utilizando o interruptor no equipamento.

NÃO continuar a operar o equipamento se tiver qualquer dúvida sobre se ele está funcionando normalmente ou se está danificado de alguma forma. Desligá-lo e retirar o plugue da tomada e consulte o seu revendedor imediatamente.

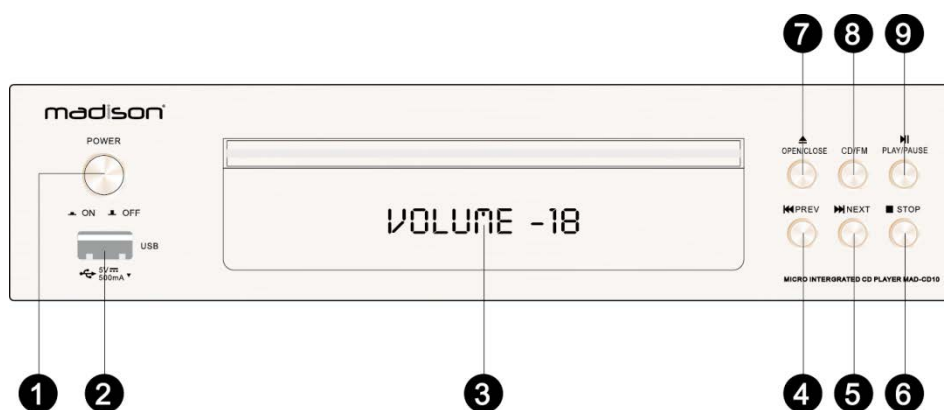
ESD Observação: Em caso de avaria devido a descarga eletrostática, basta reiniciar o sistema, desligando a alimentação eléctrica da tomada por um período de 5 minutos. Volte a ligar à rede eléctrica para retomar a operação normal.

NOTA : Não abra as tampas e não tente reparar este sistema de forma alguma se. O pessoal qualificado deve realizar trabalhos de reparação.

Conteúdo do Pacote :

1. Leitor de unidade de CD
2. Controlo Remoto
3. 2 pilhas AA
4. Antena FM
5. Cabo de áudio RCA
6. Guia Do Usuário

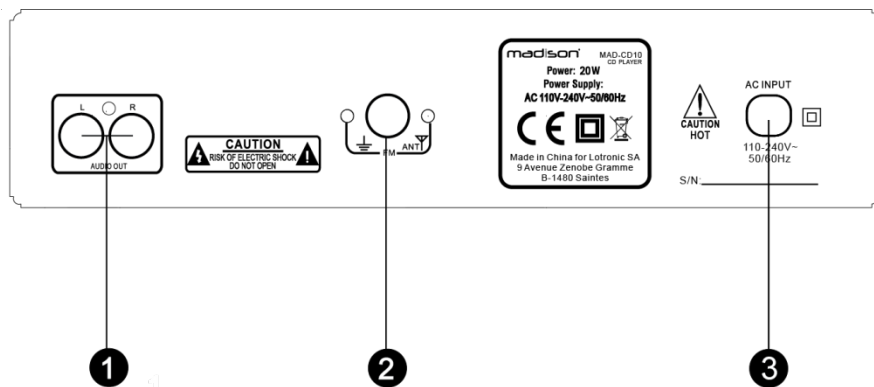
CD de componentes do painel frontal Visão geral:



Controlo	Função
1	LIGADO DESLIGADO
2	Entrada USB para MP3 e WMA Reprodução de áudio
3	display de LED
4	Seleccionar faixa anterior
5	Seleccionar próxima faixa
6	Parar faixa actual
7	Abrir/Fechar a porta do disco CD

8	Seleccionar entrada CD / FM
9	Pausar / Reproduzir

Visão da traseira do componente Painel CD:



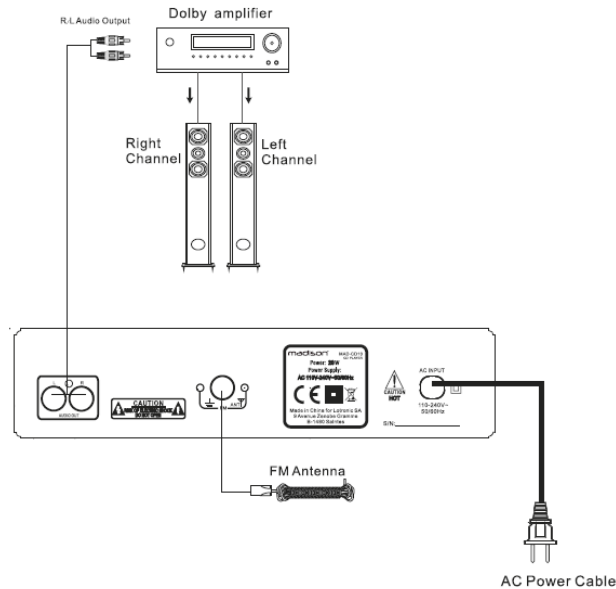
Controlo	Função
1	Saída analógica de áudio L/R (RCA)
2	Antena de Rádio FM
3	Entrada de alimentação AC

Função de controle remoto:

Controlo	Função
▲ ABERTO FECHADO	Opera a bandeja do CD para abrir e fechar
SCAN	Para digitalizar estação FM e automative save
CD / USB	Para selecionar a entrada de CD ou USB
CD	Para selecionar o modo CD
FM	Para selecionar o modo de sintonizador FM
BOTÕES NUMÉRICOS 1-9	Para selecionar diretamente uma estação de rádio utilize as teclas numéricas 1-9 ou para selecionar emissores de rádio pré-definidas
Botão numérico 10+	Se uma seleção de estações exceder a faixa 10, você pode selecionar pressionando 10+ chave
⏮ / ⏭	Para avançar ou retroceder rapidamente ao jogar um modo de CD da trilha, ou para procurar frequências para cima ou para baixo, enquanto no modo FM
▶ / ⏸ / ■	Para reproduzir, pausar ou parar faixas, enquanto no modo CD
MUTE	O botão MUTE irá eliminar qualquer som do sistema de saída enquanto em qualquer modo. Para cancelar, pressione o botão novamente
VOLUME +/-	Para ajustar o volume mestre em todos os modos
⏮ / ⏭ CHANNEL ou TRACK +/-	Para selecionar a seguinte ou anterior estação programada, enquanto no modo de rádio FM, ou para selecionar a faixa seguinte ou anterior, enquanto no modo de CD / modo USB



Ligações do painel traseiro:



Operação Básica :

Controle Remoto :

- Certifique-se de ter instalado corretamente pilhas AA em seu controle remoto.
- Para o controle remoto para ser totalmente funcional, deve ser apontado diretamente para o sistema de micro e nós dentro de um intervalo de 7 metros.
- Em alguns casos, a função de controles remotos podem ser afetados por outros produtos eletrônicos de alta frequência ou sinal de interferência.
- Se o controle remoto não vai ser usado por longos períodos de tempo, retire as pilhas para evitar o vazamento da bateria e subsequentemente danificar o controle remoto.
- O controle remoto não deve ser armazenado em condições de poeira, umidade ou úmidos, sob luz solar direta ou outros ambientes extremos.

Reprodução de um CD:

A reprodução do CD neste sistema é capaz de reproduzir 12 centímetros e 8 centímetros discos compactos. Este leitor de CD não é compatível com DVD / DVD-R / DVD-RW / DVD Audio / DVD Rom ou SACD.

Os tipos de arquivos de áudio podem ser reproduzidos são:

- CD de áudio
- MP3 Audio:
 - MPEG 1 e 2, arquivo de audio layer 3
 - Extensão de arquivo: MP3
 - Transferência Bit Rate: 8kbps ~ 320 kbps
- WMA Audio:
 - Windows mídia Arquivo
 - Extensão de arquivo: WMA
 - Transferência Bit Rate: 8kbps ~ 320 kbps
 - Tipos de arquivos criados no Windows Incompatible Media Player 9 ou posterior, ou não é compatível:
 - WMA Professional
 - WMA Lossless
 - WMA Voice

Etapas da operação Basic:

- Pressione ON no controle remoto para ligar o sistema.
- Pressione o botão INPUT várias vezes até 'CD' é exibido no visor do painel frontal.
- Pressione o botão de ejeção (▲) No controle remoto ou no painel frontal para abrir a bandeja do CD.
- Coloque um disco na bandeja do CD com o lado impresso voltado para cima e pressione o botão Eject (▲) Novamente para fechar a bandeja do CD.

Para reproduzir um disco compacto:

- Pressione o botão Play (▶||) No controle remoto ou no painel frontal eo CD começará a tocar a partir da faixa 1 do disco.

Para pausar a reprodução:

- Pressione o botão Play / Pause (▶||) No controle remoto ou no painel frontal eo CD será pausada.
- Pressione o Play.Pause (▶||) Novamente para retomar a reprodução ou o disco para a mesma posição de onde foi interrompida.

Para parar a reprodução:

- Pressione o botão Stop (■) No controle remoto ou no painel frontal e o CD vai parar. Pressionando o botão Play (▶||) Vai retomar a reprodução desde o início (track1) do disco.

Para reproduzir uma faixa desejada:

- Durante a reprodução, pressione o botão Retrocesso / Pular para frente (◀◀ / ▶▶) No controle remoto para selecionar a faixa desejada.
- Pressionar um dos botões numéricos (1 a 9) no controle remoto para acessar diretamente a faixa desejada.

Para selecionar parte específica de uma faixa:

- Durante a reprodução, pressione e segure o botão FWD (▶▶) Ou o botão RWD (◀◀) No controle remoto para digitalizar a faixa atual para a parte desejada.

Ouvir o rádio FM:

O rádio FM neste sistema operado a seguinte frequência varia: FM: 87MHz ~ 107MHz

Etapas de operação básica:

- Pressione ON no controle remoto para ligar o sistema.
- Pressione o botão FM repetidamente até uma estação de rádio frequência apareça no visor do painel frontal.

Ajustando o Radio:

Há três modos de ajuste para ambos os modos FM.

Completa Tune automática:

- Enquanto no modo de rádio, pressione o botão 'AUTO' no controle remoto, o sistema irá automaticamente procurar e salvar predefinições para todas as frequências de estação fortes encontrados.

Semi Automatic Tune:

- Enquanto no modo de rádio, pressione e segure o «<<» ou «>>» botão no controle remoto ou no painel frontal eo rádio irá varrer para a frequência da estação mais próxima forte em que já direção que você selecionou.

Manual Tune:

- Enquanto no modo de rádio, pressione o «<<» ou «>>» botão no controle remoto ou no painel frontal ea frequência de rádio vai mudar por um passo de cada vez. Pressione o «<<» ou «>>» botão até encontrar o seu frequency desejado.

Salvando Rádio Presets:

No modo de sintonização automática e semi-automática completa, fortes frequências das emissoras de rádio será salvo automaticamente.

Sintonização manual será automaticamente guardar a frequência quando você parar de pressionar "<<" ou ">>" para mais de 2 segundos, em seguida, salvá-lo da estação de 1 a 10. Você pode selecionar uma estação pressionando o "CHANNEL/TRACK + ou - botão no controle remoto.

Jogando o Entrada USB:

Este system pode reproduzir arquivos de áudio armazenados em um stick USB de memória flash que é formatada para sistema de arquivos FAT32, e com uma capacidade não maior do que 16 GB.

Os tipos de arquivos de áudio podem ser reproduzidos são:

- MP3 Audio:
 - MPEG 1 & 2, Audio Layer 3 arquivos
 - Extensão de arquivo: .MP3
 - Transferência Bit Rate: 8kbps ~ 320kbps

- WMA Audio:
 - Arquivo de mídia do Windows
 - Extensão de arquivo: .WMA
 - Transferência Bit Rate: 8kbps ~ 320kbps
 - Tipos de arquivos incompatíveis criados no Windows Media Player 9 ou posterior não são compatíveis:
 - WMA Professional
 - WMA Lossless
 - WMA Voice

Etapas de operação básica:

- Pressione ON no controle remoto para ligar o sistema.
- Quando estiver em qualquer modo de entrada, insira uma unidade de memória flash USB compatível na entrada USB no painel frontal da secção de CD Player. Para selecionar o modo de reprodução USB, pressione a entrada USB no controle remoto ou no painel frontal.

Para reproduzir uma faixa de áudio:

- Pressione o botão Play (▶) No controle remoto ou no painel frontal eo CD começará a tocar a partir da faixa 1 do stick USB.

Para pausar a reprodução:

- Pressione o botão Play / Pause (▶||) No controle remoto ou no painel frontal e da faixa fará uma pausa.
- Pressione o botão Play / Pause (▶||) Novamente para continuar a reprodução da faixa para a mesma posição de onde foi interrompida.

Para parar a reprodução:

- Pressione o botão Stop (■) No controle remoto ou no painel frontal ea pista vai parar. Pressionando o botão Play (▶) Vai retomar playback desde o início (track1) do stick USB.

Para pagar uma faixa pretendida:

- Durante a reprodução, pressione o botão Retrocesso / Pular para frente (◀◀ / ▶▶) No painel frontal, ou Canal + / CANAL botões no controle remoto.
- Pressionar um dos botões numéricos (1 a 9) no controle remoto para acessar diretamente a faixa desejada.

Para selecionar uma parte específica de uma faixa:

- Durante a reprodução, pressione e segure o botão FWD (▶▶) Ou o botão RWD (◀◀) No controle remoto para digitalizar a faixa atual para a parte desejada.

Para remover o cartão de memória USB:

- Pressione o botão Stop (■) No controle remoto ou no painel frontal ea pista vai parar. O nit é seguro remover o stick USB da entrada USB no painel frontal.

Conexão a um amplificador externo ou receptor a partir da Linha de Saída:

Este sistema tem uma saída de linha RCA estéreo L / R no painel traseiro da secção do leitor de CD. É compatível com os conectores RCA de entrada de linha em qualquer sistema de som do amplificador ou receptor casa comum.

Etapas de operação básica:

- Ligue um par de cabos estéreo RCA dos conectores de entrada de linha do seu amplificador de som doméstico ou receiver ao «LINE OUT» vermelho e branco conectores no painel traseiro da secção do leitor de CD deste sistema.
- Agora você pode selecionar o CD player ou entradas USB como sua fonte de saída desejada somente, no entanto, o volume irá agora ser controlado por seu amplificador ou receptor externo casa. Siga as instruções do fabricante para obter mais informações sobre o uso od esta configuração.

Guia de Resolução De Problemas :

PROBLEMA	CAUSA POSSIVEL	RECURSO
Controle Remoto :		
Controle remoto não funciona	<ul style="list-style-type: none"> As baterias estão esgotadas O controle remoto está muito longe do sistema principal, controlando o ângulo é muito grande, ou se houver um obstáculo no meio. 	<ul style="list-style-type: none"> Substitua por pilhas novas Opere o controle remoto dentro da faixa operacional recomendada.
Leitor de CD Secção:		
Sem Som	<ul style="list-style-type: none"> Não há nenhum disco. O disco não está carregado com o lado impresso para cima. É no modo de pausa. O disco está sujo ou riscado. 	<ul style="list-style-type: none"> Coloque um disco. Dit Loa com o lado impresso para cima. Cancele o modo de pausa. Limpá-lo ou colocar outro disco.
Ignorando som ou faixa	<ul style="list-style-type: none"> O disco está sujo ou riscado. 	Limpá-lo ou colocar outro disco.
Rádio FM:		
Não receber estações	<ul style="list-style-type: none"> A antena está ligada. A frequência de transmissão não está definido corretamente 	<ul style="list-style-type: none"> Ligue a antena. Defina a frequência de emissão corretamente
Não receber a estação programada	<ul style="list-style-type: none"> Uma frequência da estação incorreta foi memorizado. A memória programada foi apagada porque o cabo de entrada CA foi desconectado por mais de alguns dias. 	<ul style="list-style-type: none"> Memorize a frequência da estação correta. Memorizar a estação de novo.
Interferência	<ul style="list-style-type: none"> Ruído relacionada com a influência de um aparelho eléctrico. Ruído relacionado a um televisor nas proximidades. 	<ul style="list-style-type: none"> Desligue os aparelhos nas proximidades desnecessários. Instale o sistema mais longe do aparelho de TV.
Entrada USB:		
Não há faixas disponíveis para jogar	<ul style="list-style-type: none"> Não arquivos estão no stick USB. O stick USB não está formatado usando o sistema de arquivos FAT32. Os arquivos no stick USB não são formato de áudio MP3. 	<ul style="list-style-type: none"> Adicionar arquivos para o pendrive USB. Reformatar o stick USB utilizando o sistema de arquivos FAT32. Adicionar arquivos de áudio MP3 para o stick USB.

Especificações:

ITEM	ESPECIFICAÇÕES
Descrição:	leitor de CD
Requerimentos Poderosos :	AC 110-240V / 50/60 HZ 20W
Tuner Faixa de frequência:	FM: 87-108MHz
a relação sinal-ruído :	> 85dB
Canal principal (1 KHz):	20Hz-20KHz + 2 dB
Dimensões:	Unidade principal: L200 x W295 x H140mm



Produtos eléctricos não devem ser colocados no lixo doméstico. Por favor, traga-os a um centro de reciclagem. Pergunte as autoridades locais ou o seu revendedor sobre a maneira de proceder.

POMEMBNI VARNOSTNI UKREPI:

Čestitamo vam za nakup in se vam zahvaljujemo za izbiro mikro komponentnega Hi-Fi sistema. Da bi dosegli čim bolj uživali in iskoristili vaš novi sistem ter saznali s njegovimi lastnostmi, prosimo pred uporabo skrbno preberite ta priročnik. To bo zagotovilo daljšo dobo delovanja brez težav in užitek v poslušanju.

Pomembne opombe:

- Ta varnostna navodila in navodila za delovanje je potrebno ohraniti za prihodnje reference.
- Naprava ne sme biti izpostavljena kapljanju ali brizganju tekočin. Ne postavljajte predmetov, napolnjenih z vodo, kot so vaze ali kozarci na ali v bližini naprave.
- Izogibajte se namestitvi te enote na lokacijah, kot so:
 - Prostori, izpostavljeni neposredni sončni svetlobi ali blizu aparatov kateri izžarevajo toploto, kot so električni grelci.
 - Na vrhu druge stereo naprave, ki oddaja veliko toplote.
 - Zaprtih prostorih, ki blokirajo prezračevanje ali preveč prašnih prostorih.
 - Prostori pod stalnim vibracijam.
 - Vlaga ali vlažni prostori.
- Ne postavljajte odprtega ognja, kot so osvetljene sveče na ali v bližini enote.
- Pred vklopom prvič, se prepričajte, da je napajalni kabel pravilno nameščen in popolnoma odvit.
- Iz varnostnih razlogov ne odstranjujte pokrovov ali vijakov in ne poskušajte priti v notranjost izdelka iz kakršnega koli razloga. S tem boste izpostavljeni nevarni napetosti in bo takoj razveljavilo garancijo.
- Servisiranje lahko izvede usposobljenemo in ustrezno pooblaščen servisno osebje.
- Ni ničesar znotraj naprave kar lahko popravi uporabnik sam.
- Kje se vtikač ali sponka uporablja kot pripomoček za odklop, dostop za odklop mora biti preprosto dostopen.
- Baterije (akumulator ali baterije) ne smejo biti izpostavljene prekomerni vročini, kot je sonce, ogenj ali podobno.



POZOR: DA BI ZMANJŠALI NEVARNOST ELEKTRIČNEGA UDARA NE ODSTRANJUJTE POKROVA ALI ZADNJE PLOŠČE. NIČESAR NE POPRAVLJAJTE SAMI OBRNITE SE NA USPOSOBLJENO OSEBJE..

NEVARNA NAPETOST:

Nevarna napetost, ki je lahko dovolj visoka, da predstavlja nevarnost električnega udara za osebe, ki se nahajajo znotraj določenega prostora okrog tega izdelka.

POZOR :

Priročnik za uporabo vsebuje pomembna navodila za uporabo in vzdrževanje, za vašo varnost, je potrebno upoštevati ta priročnik.

OPOZORILO: ZA PREPREČEVANJE POŽARA ALI ELEKTRIČNEGA UDARA, NE IZPOSTAVLJAJTE NAPRAVE KAPLIANJU ALI BRIZGANJU.

OPOMBA : Pri uporabi za dalj časa se enota segreje. To je normalno in ne nakazuje na težave z enoto.



Ta izdelek je skladen z direktivo CE-LVD: EN60065

SPLOŠNI VARNOSTNI UKREPI:

Nekatera pomembna navodila o varni uporabi naprave:

Ta naprava je bila zasnovana in izdelana, da izpolnjujejo mednarodne varnostne standarde, vendar kot pri vsaki električni napravi je potrebno upoštevati, za zagotovitev najboljših rezultatov in varnosti.

PREBERITE navodila za uporabo, preden boste poskušali uporabiti opremo.

ZAGOTOVITE, da so vse električne povezave (vključno z omrežnim vtikačem, podaljški in povezave med samo opremo) pravilno narejene in v skladu z navodili proizvajalca.

NE IZKLAPAJTE in izvlecite omrežnega vtikača, preden sprejmete ali spreminjate katero od povezav do te naprave.

POSVETUJTE se s svojim prodajalcem, če ste kdaj v dvomih glede namestitve, delovanja ali varnosti vaše naprave.

NE ODSTRANJUJTE fiksnih pokrovov, saj vas to lahko izpostavi nevarnim in potencialno smrtonosni napetosti.

NE PREGREJTE napravo, ker lahko povzroči škodo in skrajša življenjsko dobo naprave.

NE DOVOLITE, da je naprava izpostavljena kapljanju ali brizganju, ter predmete, napolnjene z vodo, kot so vaze, ne postavljajte na napravo.

NE POSTAVLJAJTE vročih predmetov ali virov odprtega ognja, kot so prižgane sveče ali nočne lučke na ali v bližini opreme. Visoke temperature lahko stalijo plastiko in povzročijo požar.

NE POSLUŠAJTE pri zelo visoki glasnosti. S tem lahko trajno poškodujete vaš sluh.

NE PUŠČAJTE napravo vklopljeno brez nadzora. Izklopite jo s stikalom na napravi.

NE UPOTREBLJAVAJTE napravo če ste v dvomih o njenem normalnem delovanju, ali kakorkoli poškodbi dela naprave. Jo izklopite in izvlecite omrežni vtikač in se takoj posvetujte s svojim prodajalcem.

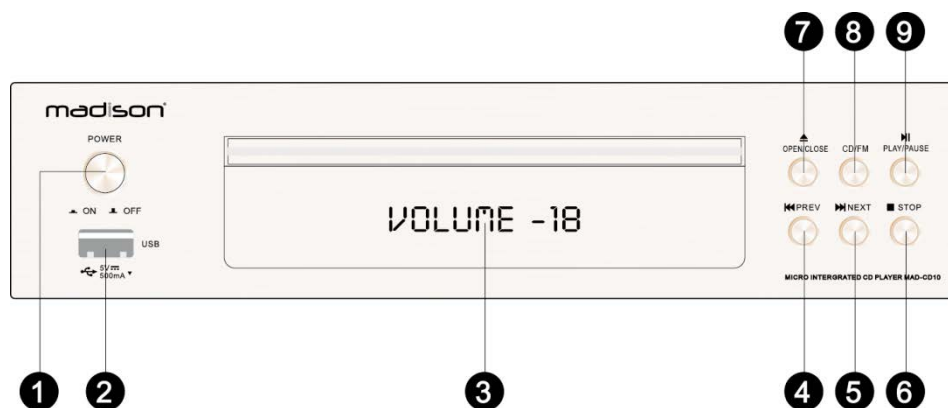
ESD PRIPOMBA: V primeru okvare zaradi elektrostatične razelektritve, preprosto ponastavite sistem, tako, da odklopite omrežno napajanje iz vtičnice za obdobje 5 minut. Ponovno priključite na električno omrežje za normalno delovanje.

OPOMBA: Ne odpirajte nobenih pokrovov in ne poskušajte popravljati ta sistem sami. Popravilo lahko izvede samo usposobljeno osebje.

Vsebina paketa:

1. CD Predvajalnik
2. Daljinski upravljalca
3. 2 x AA Baterije
4. FM Antena
5. RCA Audio kabel
6. Navodila za uporabo

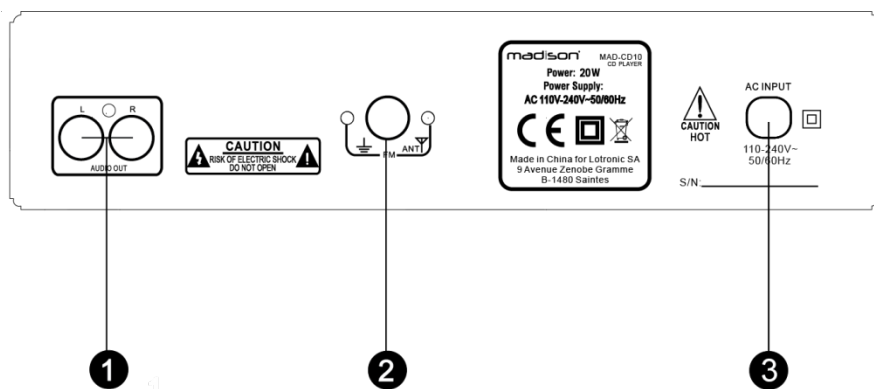
SPREDNJA PLOŠČA:



Kontrola	Funkcija
1	VKLOP/IZKLOP
2	USB vhod za MP3 in WMA Audio datoteke
3	LED Zaslon
4	Izbor Prejšnje skladbe
5	Izbor Naslednje skladbe
6	Zaustavitev trenutne skladbe
7	Odpiranje / Zapiranje vrat za zgoščenko (CD)

8	Izbor vhoda CD/FM
9	Predvajanje / Premor

ZADNJA PLOŠČA :



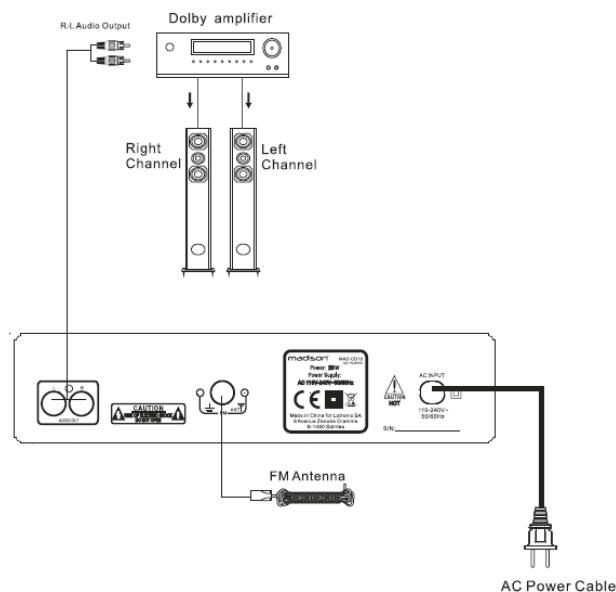
Kontrola	Funkcija
1	L/D Analogni Audio Izhod (RCA)
2	FM Radio Antena
3	AC vhod za napajanje

FUNKCIJE DALJINSKEGA UPRAVLJALCA:

Kontrola	Funkcija
ODPRI/ZAPRI	Upravlja Odpiranje in Zapiranje CD
SCAN	Iskanje FM postaj in samodejno shranjevanje
CD/USB	Izbira CD ali USB vhoda
CD	Izbira CD načina
FM	Izbira FM tuner načina
NUMERIČNE TIPKE 1-9	Neposredni izbor skladbe pritisnite numerične tipke 1-9 ali za izbor radijske postaje pritisnite 1-9
NUMERIČNA TIPKA 10+	Če izbrana pesem presega skladbo 10, lahko izberete s pritiskom na tipko 10+
	Če želite previti skladbo naprej ali nazaj, medtem ko CD igra ali skenirati frekvence navzgor ali navzdol, v načinu FM
	Za predvajanje, premor ali ustavitev skladbev CD načinu
MUTE	Tipka MUTE bo utišala izhodni zvok iz Sistema v vsakem načinu. Za preklic ponovno pritisnite gumb
GLASNOST +/-	Nastavitev glasnosti v vseh načinih
KANAL ALI SKLADBA +/-	Za izbor naslednje ali prejšnje prednastavljene postaje v FM načinu ali za izbor naslednje ali prejšnje skladbe v načinu CD / USB načinu



POVEZAVE NA ZADNJI PLOŠČI:



Osnovno delovanje:

Daljinski upravljalnik:

- Prepričajte se, da ste pravilno namestili AA baterije v daljinskem upravljalniku.
- Za popolno funkcionalnost daljinskega upravljalnika je potrebno poudariti da deluje v območju 7 metrov od mikro sistema.
- V nekaterih primerih lahko funkcijo daljinskega upravljalnika vplivajo druge elektronske, visoke frekvence ali motnje signala.
- Če daljinskega upravljalnika ne boste uporabljali dalj časa, odstranite baterije, da preprečite puščanje baterij in poškodovanje vašega daljinskega upravljalnika.
- Daljinski upravljalnik ne shranjujte v prašnih ali vlažnih prostorih v neposredni bližini sončne svetlobi ali drugih ekstremnih okoljih.

Predvajanje CD (Zgoščenke) :

Ta sistem predvaja 12cm in 8cm zgoščenke. CD predvajalnik ni združljiv z DVD / DVD-R / DVD-RW / DVD-Audio / DVD-Rom ali SACD.

Glasbene vrste avdio datotek so:

- CD Audio
- MP3 Audio :
 - MPEG 1 & 2, audio layer 3 datoteke
 - Razširjene datoteke : MP3
 - Transfer Bit Rate : 8kbps - 320 kbps
- WMA Audio :
 - Winfows media datoteke
 - Razširjene datoteke : WMA
 - Transfer Bit Rate : 8kbps - 320 kbps
 - Nezdružljive vrste datotek, ustvarjene v programu Windows Media Player 9 ali kasnejši, ali ni združljivo :
 - WMA Professional
 - WMA Lossless
 - WMA Voice

Osnovni koraki delovanja :

- Pritisnite ON na daljinskem upravljalniku, da vklopite sistem.
- Pritisnite gumb CD, dokler se ne pojavi "CD" na prikazovalniku sprednje plošče.

- Pritisnite gumb IZVRZI (▲) na daljinskem upravljalniku ali nadzorni plošči, da odprete CD pogon.
- Namestite disk v CD pogon z natisnjena stranjo obrnjena navzgor, in pritisnite gumb IZVRZI (▲) ponovno da zaprete CD pogon.

Predvajanje Zgoščenke :

- Pritisnite gumb Play (▶) na daljinskem upravljalniku ali nadzorni plošči in CD bo začel predvajati 1 skladbo z zgoščenke.

Premor predvajanja :

- Pritisnite gumb Play/Pause (▶||) na daljinskem upravljalniku ali nadzorni plošči za premor (pavzo) predvajanja CD.
- Pritisnite Play.Pause (▶||) še enkrat za nadaljevanje predvajanja, predvajanje se bo nadaljevalo z tiste točke kje se je zaustavilo.

Zaustavitev predvajanja :

- Pritisnite gumb Stop (■) na daljinskem upravljalniku ali nadzorni plošči za zaustavitev predvajanja. Pritiskom na gumb Play (▶) se bo predvajanje nadaljevalo od začetka (1 skladba) na zgoščeni.

Predvajanje zelene skladbe :

- Med predvajanjem, pritisnite gumb Nazaj/Naprej (◀◀ / ▶▶) na daljinskem upravljalniku ali nadzorni plošči da izberete zeleno skladbo.
- Pritisnite numerične tipke (1- 9) na daljinskem upravljalniku za neposredni dostop do zelene skladbe.

Izbor določenega dela skladbe:

- Med predvajanjem pritisnite in držite gumb FWD (▶▶) ali gumb RWD (◀◀) na daljinskem upravljalniku za skeniranje trenutne skladbe na zeleni del.

Poslušanje FM Radio:

FM radio v tem sistemu deluje na naslednjih frekvenčnih področjih:

FM : 87MHz - 107MHz

Osnovni koraki delovanja :

- Pritisnite ON na daljinskem upravljalniku da vklopite sistem.
- Pritisnite gumb INPUT dokler se ne prikaže radijska frekvenca na prikazovalniku sprednje plošče.

Uravnavanje Radia:

Obstajajo 3 načini uravnavanja tako za FM načine.

Polno samodejno uravnavanje:

- V načinu radia, pritisnite gumb "AUTO" na daljinskem upravljalniku, bo sistem samodejno iskal in shranjeval prednastavitve za vse ugotovljene močne frekvence postaj.

Polovično samodejno uravnavanje:

- V načinu radia, pritisnite in držite «<<» ali «>>» gumb na daljinskem upravljalniku ali nadzorni plošči in radio bo skeniral do najbližje močne frekvence postaje, v katero smer boste izbrali.

Ročno uravnavanje:

- V načinu radia, pritisnite «<<» ali «>>» gumb na daljinskem upravljalniku ali nadzorni plošči in radijska frekvenca se bo spremenila za 1. korak naenkrat. Pritisnite «<<» ali «>>» gumb, dokler ne najdete zelene frekvence.

Shranjevanje prednastavljenih postaj:

- V celozaslonskem načinu avtomatsko in polavtomatsko tuning, močne frekvence radijskih postaj se samodejno shrani. Ročno iskanje bo samodejno shranilo frekvenco, ko se ustavi pritiskom na tipko "<<" ali ">>" za več kot 2 sekundi, nato pa ga shranite s postaje 1 do 10. lahko izberete postajo s pritiskom na "CHANNEL / TRACK + ali - na daljinskem upravljalniku.

Predvajanje z USB vhoda:

To sistem lahko predvaja zvočne datoteke, shranjene na USB ključu, ki je formatiran na FAT32 datotečni sistem, in z največjo zmogljivostjo do 16 GB.

Glasbene vrste avdio datotek so:

- MP3 Audio :
 - MPEG 1 & 2, audio layer 3 datoteke
 - Razširjene datoteke: .MP3

- Transfer Bit Rate : 8kbps - 320kbps
- WMA Audio :
 - Windows media datoteke
 - Razširjene datoteke: .WMA
 - Transfer Bit Rate : 8kbps - 320kbps
 - Nezdržljive vrste datotek, ustvarjene v programu Windows Media Player 9 ali kasnejši, ali ni združljivo :
 - WMA Professional
 - WMA Lossless
 - WMA Voice

Osnovni koraki delovanja operation steps :

- Pritisnite ON na daljinskem upravljalniku, da vklopite sistem.
- V vsakem načinu delovanja vstavite združljiv USB ključ v USB vhod na sprednji plošči CD predvajalnika. Če želite izbrati način predvajanja USB, pritisnite USB vhoda na daljinskem upravljalniku ali nadzorni plošči..

Predvajanje audio skladb :

- Pritisnite gumb Play (▶) na daljinskem upravljalniku ali nadzorni plošči in CD bo začel predvajati 1 skladbo z USB ključa.

Premor predvajanja :

- Pritisnite gumb Play/Pause (▶||) na daljinskem upravljalniku ali nadzorni plošči za premor (pavzo) predvajanja CD.
- Pritisnite Play.Pause (▶||) še enkrat za nadaljevanje predvajanja, predvajanje se bo nadaljevalo z tiste točke kje se je zaustavilo.

Zaustavitev predvajanja :

- Pritisnite gumb Stop (■) na daljinskem upravljalniku ali nadzorni plošči za zaustavitev predvajanja. Pritiskom na gumb Play (▶) se bo predvajanje nadaljevalo od začetka (1 skladba) na USB ključu.

Predvajanje zelene skladbe :

- Med predvajanjem, pritisnite gumb Nazaj/Naprej (◀◀ / ▶▶) na daljinskem upravljalniku ali gumb Channel+ / Channel- na nadzorni plošči da izberete zeleno skladbo.
- Pritisnite numerične tipke (1- 9) na daljinskem upravljalniku za neposredni dostop do zelene skladbe.

Izbor določenega dela skladbe:

Med predvajanjem pritisnite in držite gumb FWD (▶▶) ali gumb RWD (◀◀) na daljinskem upravljalniku za skeniranje trenutne skladbe na zeleni del.

Odstranitev USB ključa:

- Pritisnite gumb Stop (■) na daljinskem upravljalniku ali nadzorni plošči da zaustavite predvajanje. Zdaj lahko varno odstranite USB ključ iz USB vhoda na sprednji plošči.

Priključitev na zunanji ojačevalac ali sprejemnik LINE OUT:

Ta sistem ima stereo RCA izhod L / R na hrbtni strani CD predvajalnika. Ta je združljiv z RCA vhodima kateri koli ojačevalca ali sprejemnika.

Osnovni koraki delovanja:

- Priključitev par RCA stereo kablova iz vhoda vašega ojačevalca ali sprejemnika z rdečo in belo v "LINE OUT» priključke na zadnji strani CD predvajalnika tega sistema..
- Zdaj lahko izberete bodisi CD predvajalnik ali USB vhod, kot zeleni izhodni vir le, vendar moč je zdaj kontrolira preko vašega zunanjega ojačevalca ali sprejemnika. Sledite navodilom proizvajalca za dodatne informacije o uporabi ob tej namestitvi.

ODPRAVLJANJE TEŽAV:

PROBLEM	MOŽEN VZROK	REŠITEV
Daljinski upravljalnik:		
Daljinski upravljalnik ne dela	<ul style="list-style-type: none"> Baterije so prazne Daljinski upravljalnik je predaleč od glavnega sistema, kontrola kota je prevelika, ali obstaja ovira vmes. 	<ul style="list-style-type: none"> Zamenjajte z novimi baterijami Upravljajte daljinskim upravljalnikom v priporočenem območju delovanja.
CD Predvajalnik:		
Ni zvoka	<ul style="list-style-type: none"> Ni diska. Disk ni pravilno vstavljen. V načinu Premora (Pavza). Disk je umazan ali opraskan. 	<ul style="list-style-type: none"> Vstavite disk. Vstavite disk pravilno, natisnjena stran zgoraj. Prekličite pavzo. Očistite ali vstavite drug disk.
Skladbe ali zvok preskakujejo	<ul style="list-style-type: none"> Disk je umazan ali opraskan. 	Očistite ali vstavite drug disk.
FM Radio :		
Ni sprejema postaj	<ul style="list-style-type: none"> Antena ni priključena. Frekvenca oddajanja ni pravilno nastavljena 	<ul style="list-style-type: none"> Connect the antenna. Pravilno nastavite frekveco oddajanja
Ni sprejema prednastavljenih postaj	<ul style="list-style-type: none"> Napačen spomin frekvence postaje. Prednastavljeni spomin je bil počiščen, ker je bil vhodni kabel odklopljen za več kot nekaj dni. 	<ul style="list-style-type: none"> Zapomni pravilno frekvenco postaje. Ponovno memorizirajte postajo.
Motnje	<ul style="list-style-type: none"> Hrup povezana z vplivom električnega aparata. Hrup povezana z bližino TV. 	<ul style="list-style-type: none"> Izklopite nepotrebne bližnje naprae. Namestite sistem dlje od TV.
USB Vhod:		
Na voljo ni nobene skladbe za predvajanje	<ul style="list-style-type: none"> Na USB ključu ni nobene datoteke. USB ključ ni formatiran z FAT32 datotečnim sistemom. Datoteke na USB ključu niso v MP3 audio formatu. 	<ul style="list-style-type: none"> Dodajte datoteke na USB ključ. Formatirajte USB ključ z FAT32 datotečnim sistemom. Dodajte MP3 audio datoteke na USB ključ.

TEHNIČNI PODATKI :

POSTAVKA	SPECIFIKACIJA
Opis :	CD Predvajalnik
Zahtevano napajanje:	AC 110-240V/ 50/60 HZ 20W
Frekvenčni razpon FM sprejemnika:	FM: 87-108 MHz
Razmerje Signal / Šum:	>85dB
Glavni kanal (1KHz):	20Hz-20KHz+2dB
Dimenzije:	200 x 295 x 140 mm



Električni izdelki se ne smejo odlagati v gospodinjske odpadke. Prosimo, da jih pripeljete do centra za recikliranje. Vprašajte svoje lokalne oblasti ali svojega prodajalca za nadaljevanje.

MANUAL DE INSTRUCCIONES

Precauciones de uso importantes:

Gracias por escoger nuestro producto. Con el fin de aprovechar plenamente el equipo y para familiarizarse con él, le agradeceríamos que lea atentamente este manual de instrucciones.

Notas importantes:

- Conserve este manual para futuras consultas.
- Este equipo no debe estar nunca en contacto con ningún líquido o cerca de objetos con líquidos, como por ejemplo un vaso, etc...
- Lugares a evitar para su equipo:
 - No exponer a los rayos del Sol o a aparatos que desprendan calor, como por ejemplo un radiador...
 - Encima de otros equipos de sonido que produzcan calor.
 - Lugares donde no haya ventilación o lugares polvorientos.
 - Lugares sujetos a constantes vibraciones.
 - Lugares húmedos.
- Ninguna fuente de calor que produzca llama, tal como una vela por ejemplo, pueden estar colocados cerca del equipo.
- Antes de poner en marcha el equipo por primera vez, vigile que el cable este perfectamente conectado y desenrollado en su totalidad.
- Por razones de seguridad, no retire ningún tornillo del equipo o intente abrir el equipo por ninguna razón. Si lo hiciera, estaría expuesto a una tensión peligrosa y además anularía la garantía del equipo.
- Lleve el equipo a su vendedor en caso de problema.
- Este equipo, no contiene ninguna pieza cambiabile por el usuario.
- Dispositivos de corte de corriente:
 - a) Cuando el cable de corriente o el interruptor del equipo, se utiliza como dispositivo de desconexión, ese dispositivo ha de permanecer fácilmente accesible;
 - b) Si un interruptor unipolar se utiliza como dispositivo de desconexión, el lugar y la descripción de la función del interruptor han de estar descritas y el conmutador ha de permanecer fácilmente accesible.
- No exponer las pilas, baterías o acumuladores al calor.



ATENCION: CON EL FIN DE EVITAR CUALQUIER RIESGO DE ELECTROCUCION, JAMAS ABRA EL EQUIPO.NINGUNA PIEZA DEL INTERIOR ES REUTILIZABLE. EN CASO DE PROBLEMA, CONTACTE CON SU VENDEDOR.

TENSION PELIGROSA:



El rayo dentro del triángulo llama la atención sobre un peligro físico. (Como por ejemplo una electrocución)



ATENCION:

El punto de exclamación, dentro del triángulo, indica un riesgo en la manipulación o utilización del equipo.

ATENCION: PARA EVITAR QUE EL EQUIPO SE INCENDIE O TENGA CUALQUIER OTRO PROBLEMA MAYOR, NO EXPONGA EL EQUIPO A NINGUN LIQUIDO O CUALQUIER TIPO DE SALPICADURAS.

NOTA: Después de cierto tiempo, el equipo se calentará. No se preocupe, esto, es normal y no supone ningún problema del equipo.



Este equipo, es conforme a la norma CE-LVD directiva: EN60065

PRECAUCIONES DE EMPLEO GENERALES:

Lo que hay que hacer y lo que no hay que hacer para una utilización segura del equipo:

Este equipo, ha estado concebido y fabricado, para respetar las normas internacionales de seguridad, pero como cualquier equipo eléctrico, es necesario ser prudente si desea tener los mejores resultados y una utilización lo más segura posible.

LEA el manual de instrucciones antes del primer uso.

ASEGURESE que todas la conexiones eléctricas (Incluso los enchufes y alargadores eléctricos), están en buen estado y se corresponden a las necesidades del equipo, siguiéndolas instrucciones del fabricante.

APAGUE Y DESENCHUFE el equipo de la corriente antes de conectar o modificar las conexiones del equipo.

CONSULTE su vendedor si tiene cualquier duda de instalación, las instrucciones a seguir o la seguridad de su equipo.

NO abra el equipo por riesgo a exponerse a una tensión peligrosa y potencialmente mortal.

NO sobrecaliente el equipo, para evitar riesgo de daños al mismo y de reducir la vida de este.

NO ponga recipientes con líquidos tales como vasos, cerca del equipo. Corre el riesgo de que se vuelquen y entre líquido dentro del equipo. Jamás vierta líquidos sobre el equipo.

NO Coloque llamas, como por ejemplo, una vela, cerca del equipo. Las altas temperaturas pueden fundir el plástico y provocar un incendio.

NO escuche la música demasiado fuerte, ya que le puede producir daños en el oído.

NO Deje el equipo sin vigilancia. Apáguelo con la ayuda del interruptor ON/OFF.

NO continúe utilizando el equipo, si tiene una duda concerniente a su correcto funcionamiento. Apáguelo, desenchúfelo y llévelo a su vendedor.

NOTA: En caso de mal funcionamiento debido a la electricidad electrostática, desenchufe el equipo, durante 5 minutos.

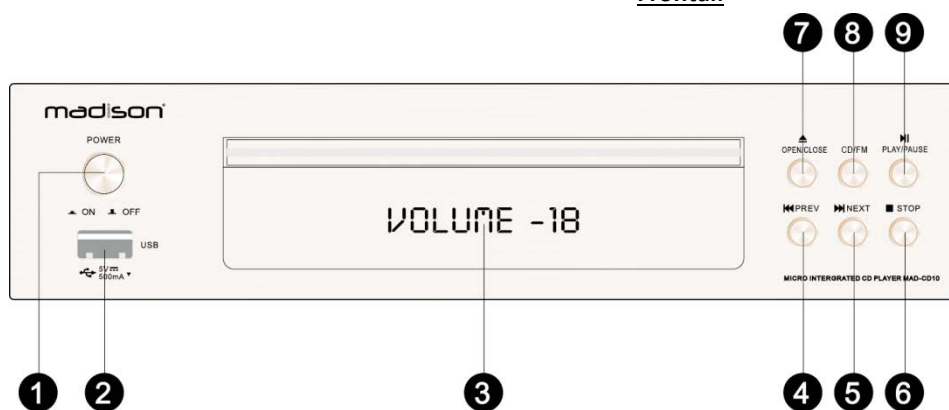
Vuelva a enchufar para una utilización normal.

NOTA: NO abrir el equipo, para intentar repararlo. Esto, solo lo debe de hacer un técnico cualificado.

Contenido del embalaje:

1. Lector CD
2. Mando a distancia
3. 2 pilas AA
4. Antena radio
5. Cable audio RCA
6. Manual de instrucciones

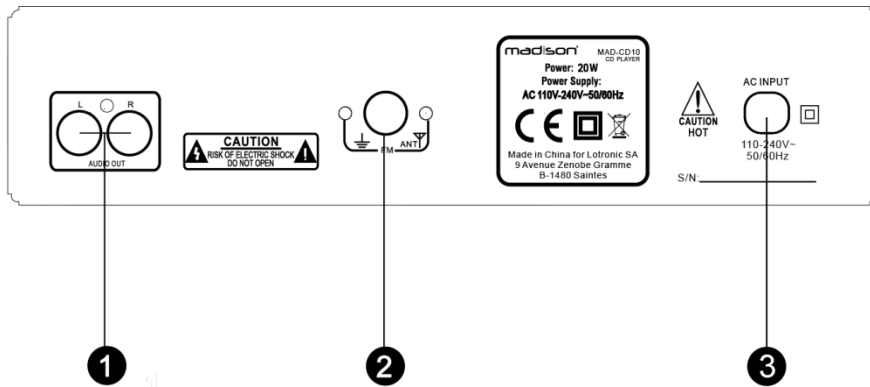
Frontal:



Control	Funciones
1	Botón ON/OFF
2	Entrada USB para MP3 & ficheros de lectura audio WMA
3	Display de LED
4	Selección de la pista anterior
5	Selección de la pista siguiente
6	Botón STOP

7	Apertura/Cierre del lector CD
8	Botón de selección CD/FM
9	Botón Play/pausa

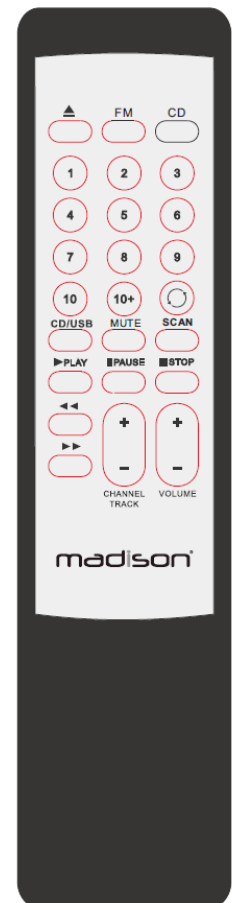
Trasera:



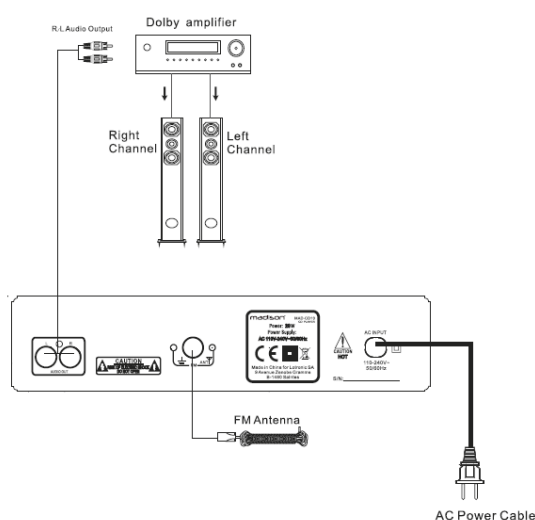
Control	Función
1	Salida audio I/D analógica (RCA)
2	Antena radio
3	Entrada de corriente

Télécommande :

Controles	Función
ABRIR/CERRAR	Apertura y cierre de la bandeja del CD
BUSQUEDA	Búsqueda de las emisoras de radio y memorización automática
CD/USB	Selección del lector CD o de la entrada USB
CD	Selección del modo CD
FM	Selección del modo Radio
BOTONES NUMERICOS 1-9	Para la selección directa de una pista, apriete los botones del 1 al 9 e igualmente para seleccionar una emisora de radio memorizada
BOTON NUMERICO 10+	Si una pista excede de la pista 10, usted la puede seleccionar apretando 10+
	Para un avance rápido o un rebobinado de una pista audio durante la escucha de un CD o el cambio de frecuencia de radio en modo FM
	Para pasar la lectura de Lectura a pausa o Stop
MUTE	El botón MUTE corta el sonido del equipo, Para volver al sonido, apriételo de nuevo.
VOLUME +/-	Para ajustar el volumen
CANAL o TRACK +/-	Selección de la pista siguiente o anterior, durante la escucha de un CD, y la selección de la memoria de radio anterior o siguiente, durante la escucha de la radio.



Conexiones traseras:



Operaciones básicas:

Mando:

- Asegúrese de haber colocado perfectamente las pilas AA dentro del mando.
- Para que el mando funcione mejor, hay que dirigirlo hacia el receptor y a una distancia máxima de unos 7 metros.
- Em algunos casos, puede que el mando no funcione por culpa de otros equipos de fuerte frecuencia que emitan interferencias.
- Si el mando no se utiliza durante un largo periodo de tiempo, quite las pilas del mismo.
- El mando, no debe permanecer en lugares polvorientos, húmedos, calurosos o con incidencia directa de los rayos del Sol o lugares extremos.

Lectura de un CD:

Este equipo, permite la lectura de un CD de 12cm y de 8cm. Este lector CD, no es compatible con los formatos DVD/DVD-R/DVD-RW/DVD Audio/DVD-ROM o SACD.

Los formatos compatibles, son:

- CD Audio
- MP3 Audio :
 - MPEG 1 & 2, audio layer 3 file
 - Ficheros de extensión: MP3
 - Tasa de transferencia: 8kbps ~ 320 kbps
- Audio WMA :
 - Ficheros Windows media
 - Extensión: WMA
 - Tasa de transferencia : 8kbps ~ 320 kbps
 - Los tipos de formato incompatibles creados en Windows Media Player 9 o posteriores:
 - WMA Profesional
 - WMA Lossless
 - WMA Voice

Etapas de las operaciones básicas:

- Apriete en ON del mando, para el encendido del equipo.
- Apriete en el botón CD de manera repetitiva hasta que « CD » aparezca en el display.
- Apriete el botón EJECT del mando a distancia, orientado hacia el frontal del equipo, para abrir la bandeja del CD.
- Inserte un CD en la bandeja, con la parte imprimida, hacia arriba y apriete de nuevo el botón EJECT (▲) para cerrar la bandeja CD.

Para la lectura de un disco compacto:

- Apriete en el botón PLAY (▶) del mando o del frontal del equipo, para que comience la primera pista.

- Para hacer PAUSE :
- Apriete el botón PLAY/PAUSE (▶||) del mando a distancia o del frontal y la lectura del CD, se pondrá en pausa.
- Apriete de nuevo el botón PLAY/PAUSE (▶||) para retomar la lectura del CD a partir de donde lo había pausado.
- Par aparar la lectura:
- Apriete el botón STOP (■) del mando o del frontal y la lectura del CD se parará. Apriete el botón PLAYPAUSE (▶||) para comenzar de nuevo la lectura desde la pista 1.

Para la lectura de una pista seleccionada:

- Durante la lectura, apriete los botones ANTERIOR/SIGUIENTE (◀◀ / ▶▶) en el mando, para seleccionar la pista deseada.
- Apriete en uno de los botones numéricos (1 ~ 9) del mando para obtener acceso directo a la pista deseada.

Para la selección de una parte en particular de una pista:

- Durante la lectura, mantenga apretado el botón siguiente (▶▶) o anterior (◀◀) del mando para desplazarse hasta el punto exacto de la pista.

Escucha de la radio:

La radio opera en las frecuencia siguientes:

FM: 87MHz ~ 107MHz

Etapas de operaciones básicas:

- Apriete en ON del mando, para el encendido del equipo.
- Apriete en el botón FM de manera repetitiva hasta que la frecuencia de la radio aparezca en el display.

Sintonización de la radio:

Hay tres modos de sintonización, para los modos FM.

Sintonización automática:

- Cuando esté en modo Radio, apriete el botón « AUTO » del mando y la búsqueda de las emisoras más fuerte, comenzará.

Sintonización semi-automática:

- Cuando esté en modo Radio, mantenga apretada la tecla « << » o « >> » del mando o del frontal del equipo, para ir a la emisora más cercana.

Sintonización manual:

- Cuando esté en modo Radio, apriete en los botones « << » o « >> » del mando o del frontal del equipo y la frecuencia de la radio, cambiará de un nivel a la vez.

Memorización de las emisoras de radio:

• En el modo de sintonización automática y semi-automática completa, fuertes frecuencias de radio se guardarán automáticamente.

Sintonización manual se auto guardar la frecuencia cuando se deja de presionar "<<" o ">>" para más de 2 segundos, a continuación, guardarlo de la estación de 1 a 10. Se puede seleccionar una emisora pulsando el "CHANNEL/TRACK" + o - botón en el control remoto.

Utilización de la entrada USB:

Este equipo, puede leer los ficheros de audio a partir de un dispositivo USB formateado en FAT32 y con una capacidad máxima de 16GB.

Los tipos de ficheros compatibles, son:

- Audio MP3 :
 - MPEG 1 & 2, audio layer 3 files
 - Extensión de archivo : .MP3
 - Transfer Bit Rate : 8kbps ~ 320kbps
- Audio WMA :
 - Ficheros Windows media
 - Extensión de archivo : .WMA
 - Tasa de transferencia : 8kbps ~ 320kbps
 - Los tipos de formato incompatibles creados en Windows Media Player 9 o posteriores:

- WMA Profesional
- WMA Lossless
- WMA Voice

Etapas de operaciones básicas:

- Apriete en ON del mando para la puesta en marcha del equipo.
- Inserte un dispositivo USB compatible en el puerto USB y seleccione la entrada USB en el mando o en el frontal del equipo.

Para la lectura de un fichero:

- Apriete en el botón PLAY (▶) del mando o del frontal del equipo, para que comience la primera pista.
- Para hacer PAUSE :
Apriete el botón PLAY/PAUSE (▶||) del mando a distancia o del frontal y la lectura del CD, se pondrá en pausa.
- Apriete de nuevo el botón PLAY/PAUSE (▶||) para retomar la lectura del CD a partir de donde lo había pausado.
Para apagar la lectura:
- Apriete el botón STOP (■) del mando o del frontal y la lectura del título se parará. Apriete el botón PLAY/PAUSE (▶||) para comenzar de nuevo la lectura desde la pista 1.

Para la lectura de una pista seleccionada:

- Durante la lectura, apriete los botones ANTERIOR/SIGUIENTE (◀▶) en el mando, para seleccionar la pista deseada.
- Apriete en uno de los botones numéricos (1 ~ 9) del mando para obtener acceso directo a la pista deseada.

Para la selección de una parte en particular de una pista:

- Durante la lectura, mantenga apretado el botón siguiente (▶▶) o anterior (◀◀) del mando para desplazarse hasta el punto exacto de la pista.

Para quitar el dispositivo USB:

- Apriete el botón STOP (■) del mando a distancia o del frontal del equipo y la pista parará. En esos momentos, ya puede quitar el dispositivo con toda seguridad.

Conexión de un amplificador externo o a un receptor a partir de una salida de línea:

Este sistema. Cuenta con una salida de línea estéreo I/D por RCA, en la parte trasera del lector CD. Estas son compatibles con todas las entradas de línea RCA de cualquier sistema de audio corriente.

Etapas básicas:

- Conecte un cable RCA de las entradas de línea de su amplificador de audio a las clavijas de salida de línea del este equipo Madison, situadas detrás del lector CD.
- De esta manera, puede utilizar el CD o Lector USB como fuente de salida y el amplificador externo al que lo ha conectado amplificará esta salida. Gradúe el volumen con el volumen del amplificador externo. Lea el manual de su amplificador externo, para una información más amplia de esta cuestión.

Diagnóstico de fallo :

PROBLEMA	CAUSA POSIBLE	SOLUCIONES
Mando a distancia :		
El mando a distancia, no funciona	<ul style="list-style-type: none"> • Las pilas están descargadas • El mando, está muy lejos del equipo o hay un obstáculo entre ambos. 	<ul style="list-style-type: none"> • Cambie las pilas • Cerque su mando al equipo.
Lector CD :		
No hay sonido	<ul style="list-style-type: none"> • No hay disco • El disco, no está insertado con el lado impresa hacia arriba. • Está en modo pausa. • El disco está sucio o rayado. 	<ul style="list-style-type: none"> • Inserte un disco • Inserte un disco bien colocado. • Anule el modo Pausa. • Limpie e inserte otro disco.
Se cambia de pista	<ul style="list-style-type: none"> • El disco está sucio o rayado. 	Limpie e inserte otro disco.

Radio FM :		
No recibe emisoras	<ul style="list-style-type: none"> • La antena, está desconectada • La emisora no está bien ajustada 	<ul style="list-style-type: none"> • Conecte la antena. • Encuentre una emisora con buena recepción
No recibe la emisora programada	<ul style="list-style-type: none"> • Una emisora con sintonía errónea se ha memorizado. • La memoria de ha borrado por que el cable de corriente se ha desconectado durante muchos días. 	<ul style="list-style-type: none"> • Memorice una emisora con su sintonía correcta. • Memorice la emisora de nuevo.
Interferencia	<ul style="list-style-type: none"> • Parasito provocado por un equipo eléctrico. • Parasito provocado por un TV cercana. 	<ul style="list-style-type: none"> • Apague los equipos prescindibles próximos. • Instale el equipo, más lejos de la TV.
Entrada USB :		
No hay ninguna pista disponible	<ul style="list-style-type: none"> • No se ha grabado ninguna pista en el dispositivo USB • El dispositivo USB no está formateado para utilizar ficheros FAT32 • Los ficheros en el dispositivo USB no están en formato MP3 	<ul style="list-style-type: none"> • Colocar alguna pista al dispositivo USB • Reformatee el dispositivo USB a FAT32 • Añada ficheros audio MP3 en el dispositivo USB.

CARACTERISTICAS TECNICAS	
Descripción :	Lector CD
Alimentación:	AC 110-240V/ 50/60 HZ 20W
Frecuencia de radio :	FM : 87-108MHz
Relación Señal/Ruido:	>85dB
Banda pasante (1KHz) :	20Hz-20KHz+2dB
Dimensiones:	UNIDAD PRINCIPAL : L200 x W295 x H140mm



NOTA IMPORTANTE: Los productos eléctricos, no deben ser tirados a la basura doméstica. Hágalos reciclar en un lugar destinado a ello. Pregunte a las autoridades locales, por el punto más cercano a su domicilio.

Imported from China by:

LOTRONIC SA
Av. Z. Gramme 9
B – 1480 Saintes

IT

MANUALE DI ISTRUZIONI

Lettore CD – Tuner FM – USB – Bluetooth

73218 - 10-7039

Per la Vostra Sicurezza:

Non Aprire o Riparare l'articolo autonomamente. Se questo articolo avrà dei problemi, contattare un laboratorio tecnico professionale.

Raccomandazioni di Sicurezza:

- Prima di ogni installazione e Riparazione, per favore togliere l'alimentatore dalla rete elettrica
- Per motivi di sicurezza deve essere sempre in funzione la messa a terra
- Questo articolo dovrebbe essere installato da un tecnico professionista
- Non toccare l'articolo in funzionamento con le mani bagnate
- Non tirare con forza l'alimentatore
- Non accendere e spegnere l'apparecchio troppo frequentemente
- Non posizionare questo articolo in bagno, piscina, etc. etc,

Utilizzo:

Questo apparecchio è in grado di leggere e riprodurre in out:

CD – Tuner FM – USB – Bluetooth

Aassicurarsi di tenere sempre il volume al minimo all'accensione e poi incrementare gradualmente.

Imported from China by:

LOTRONIC SA
Av. Z. Gramme 9
B – 1480 Saintes



EC Declaration of Conformity

Hereby we,

LOTRONIC SA
Avenue Zénobe Gramme, 9
1480 SAINTES
Belgique
+32.2.390.91.91

Certify and declare under our sole responsibility that the following product:

Trade name:

madison®

Product name:

CD PLAYER

Type or model:

MAD-CD10

Conforms to the essential requirements of the:

LVD directive 2014/35/EU – EMC directive 2014/30/EU – ROHS 2011/65/EU – ERP 2009/125/EC

Based on the following specifications applied:

Safety : EN60065:2014
EMC : EN55013 :2013
EN55020 :2007+A11 :2011
EN61000-3-2 :2014
EN61000-3-3 :2013
EN50564:2011
EN50581:2012

Place and date of issue: Saintes (Belgium), on 26/05/2016

AKBAR Guive
Technical Manager

LOTRONIC SA
Av. Zenobe Gramme 9
1480 Saintes - Belgium
Tel. +32.2.390.91.91
Fax +32.2.390.93.19
info@lotronic.net
www.lotronic.com

g. Akbar



Déclaration CE de Conformité

Nous, **LOTRONIC SA**
Avenue Zénobe Gramme, 9
1480 SAINTES
Belgique
+32.2.390.91.91

Certifions et déclarons sous notre seule responsabilité que les produits suivants:

Marque:

Désignation commerciale: LECTEUR CD

Type ou modèle: MAD-CD10

Auxquels se réfère cette déclaration sont conformes aux exigences essentielles et aux autres dispositions pertinentes des directives :

LVD 2014/35/EU – EMC 2014/30/EU – ROHS 2011/65/EU – ERP 2009/125/EC

Les produits sont en conformité avec les normes et/ou autres documents normatifs suivants :

Sécurité : EN60065:2014
CEM : EN55013 :2013
EN61000-3-2 :2014
EN61000-3-3 :2013
EN55020 :2007+A11 :2011
EN50581 :2012
EN50564 :2011

Fait à Saintes (Belgique), le 26/05/2015

Guive Akbar
Responsable technique

LOTRONIC SA
Av. Zenobe Gramme 9
1480 Saintes - Belgium
Tel. +32.2.390.91.91
Fax +32.2.390.93.19
info@lotronic.net
www.lotronic.com